

THE MEDIFLEX DAVIDA™ MICROSURGERY RETRACTOR AND HAND STABILIZATION SYSTEM

Mel Greenberg, M.D. began his training in Neurosurgery at about the same time that Surgical Microscopes were being introduced to the Neurosurgical community. Dr. Greenberg - and others - were trained at that time to use the microscope in much the same way that they had done traditional neurosurgery... standing, holding instruments in mid-air and passing instruments back and forth to scrub techs.

Many of the new procedures pioneered by the availability of surgical microscopes - such as AV Malformation - could last many hours. The inevitable side effects (on the surgeon) included fatigue and tremor. The prescribed preventions included the elimination of caffeinated beverages, alcohol and strenuous exercise for 24 hours or more prior to performing surgery. And still, fatigue and tremor persisted.

Dr. Greenberg theorized that a radically different solution was needed:

- First, he said, the surgeon should sit when performing Microsurgery. The very act of standing uses the large muscles of the legs and back and inevitably results in fatigue.
- Secondly, he recommended resting the wrists on a solid base. The small hand and finger movements required in microsurgical procedures are much easier when the wrists are supported. He likens this to writing. You don't hold your hands in mid air to write, you place your wrist on a secure surface to support them.



This removes the large muscles of the arm from having to support the hand and reduces both fatigue and tremor.

- Thirdly, he recommended against traditional instrument exchanges which also involved using the large muscles of the arm, shoulder and back to reach out for instruments.

Dr. Greenberg then worked with David T. Adler, founder of Mediflex, to design a system that would allow for these principles. The result of their collaboration was the Greenberg Neurosurgery System. It featured hand rests on an adjustable arm that could be locked in position as well as several smaller arms that would hold the necessary instruments right at the surgical site, virtually eliminating the need for traditional instrument passes. Mediflex selected a Division of Johnson and Johnson to distribute the Greenberg System world wide. While still making the Greenberg System for J&J, we also market it through our own distribution as the Davida System, named after the co-inventor, David T. Adler.

But Mediflex has taken the original concept even further. Since intraoperative MRI's are now available, we offer the Davida System in Titanium, a material that leaves minimal artifact on MRI Images and is not affected by the magnetic field. We also market smaller systems for use in other surgical specialties that perform microsurgical procedures. And, all Davida parts are identical to the Greenberg Devices you may have and will fit them exactly. After all, David Adler designed the Greenberg System.

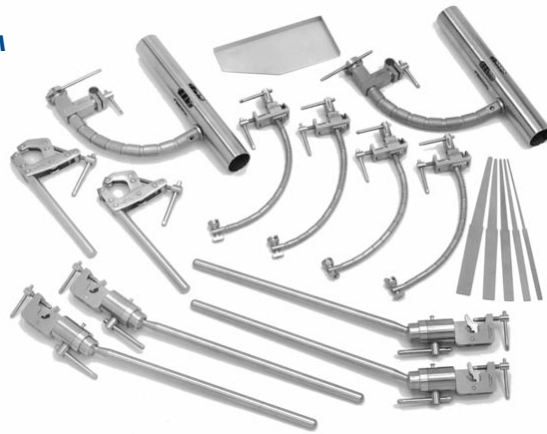
See next page for complete Systems and Components

34 MEDIFLEX DAVIDA™ SYSTEMS

**DELUXE SYSTEM IN TITANIUM
THE MEDIFLEX DAVIDA™ MICROSURGERY
RETRACTOR AND HAND STABILIZATION SYSTEM**

■ SYSTEM NO. 69810-TI

Qty.	Ref. No.	Description/Size
2 ea	69013-TI	Handrest, 10"
4 ea	69015-TI	Long Retractor Arm
2 ea	69019-TI	Primary Bar
4 ea	69022-TI	Floating Secondary Bars
1 ea	69802	Patty Tray, Aluminum
1 ea	69801	Case for Davida System, Stainless Steel
Five, 9" Tapered Malleable Titanium Blades:		
	69807-TI	1/16" to 1/4", .15cm to .62cm
	69806-TI	3/32" to 3/8", .23cm to .94cm
	69805-TI	1/8" to 1/2", .31cm to 1.25cm
	69804-TI	5/32" to 5/8", .39cm to 1.56cm
	69803-TI	1/4" to 3/4", .62cm to 1.87cm



■ SYSTEM NO. 69810
**DELUXE SYSTEM IN
STAINLESS STEEL
THE MEDIFLEX DAVIDA™
MICROSURGERY
RETRACTOR AND HAND
STABILIZATION SYSTEM**

Qty.	Ref. No.	Description/Size
2 ea	69013	Handrest, 10"
4 ea	69015	Long Retractor Arm
2 ea	69019	Primary Bar
4 ea	69022	Floating Secondary Bars
1 ea	69802	Patty Tray
1 ea	69801	Case for Davida System

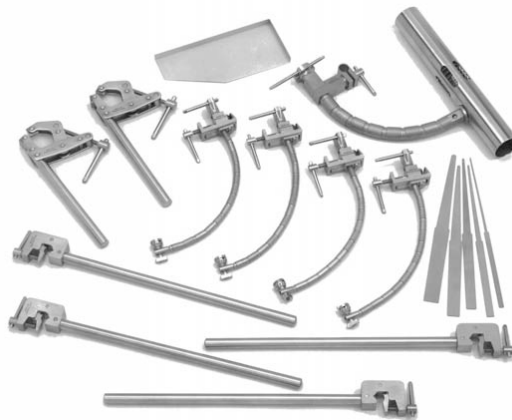
Five, 9" Malleable Tapered Blades:

69807	1/16" to 1/4", .15cm to .62cm
69806	3/32" to 3/8", .23cm to .94cm
69805	1/8" to 1/2", .31cm to 1.25cm
69804	5/32" to 5/8", .39cm to 1.56cm
69803	1/4" to 3/4", .62cm to 1.87cm

**ORIGINAL SYSTEM IN TITANIUM
THE MEDIFLEX DAVIDA™ MICROSURGERY
RETRACTOR AND HAND STABILIZATION SYSTEM**

■ SYSTEM NO. 69800-TI

Qty.	Ref. No.	Description/Size
1 ea	69013-TI	Handrest, 10"
4 ea	69015-TI	Long Retractor Arm
2 ea	69019-TI	Primary Bar
4 ea	69020-TI	Standard Secondary Bars
1 ea	69802	Patty Tray, Aluminum
1 ea	69801	Case for Davida System, Stainless Steel
Five, 9" Tapered Malleable Titanium Blades:		
	69807-TI	1/16" to 1/4", .15cm to .62cm
	69806-TI	3/32" to 3/8", .23cm to .94cm
	69805-TI	1/8" to 1/2", .31cm to 1.25cm
	69804-TI	5/32" to 5/8", .39cm to 1.56cm
	69803-TI	1/4" to 3/4", .62cm to 1.87cm



■ SYSTEM NO. 69800
**ORIGINAL SYSTEM
IN STAINLESS STEEL
THE MEDIFLEX DAVIDA™
MICROSURGERY
RETRACTOR AND HAND
STABILIZATION SYSTEM**

Qty.	Ref. No.	Description/Size
1 ea	69013	Handrest, 10"
4 ea	69015	Long Retractor Arm
2 ea	69019	Primary Bar
4 ea	69020	Standard Secondary Bars
1 ea	69802	Patty Tray
1 ea	69801	Case for Davida System

Five, 9" Malleable Tapered Blades:

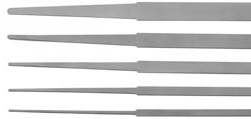
69807	1/16" to 1/4", .15cm to .62cm
69806	3/32" to 3/8", .23cm to .94cm
69805	1/8" to 1/2", .31cm to 1.25cm
69804	5/32" to 5/8", .39cm to 1.56cm
69803	1/4" to 3/4", .62cm to 1.87cm

DAVIDA STERILIZATION TRAY



■ REF. NO. 69801 Stainless Steel,
17" x 10" x 2½",
42.5cm x 25cm x 6.25cm

TAPERED MALLEABLE BLADES, 9", 22.5cm



SS #	Size	Titanium #
69803	¼" to ¾"	69803-TI
69804	⅜" to ⅝"	69804-TI
69805	⅙" to ½"	69805-TI
69806	⅜" to ⅝"	69806-TI
69807	⅙" to ¼"	69807-TI

HANDREST, 10", 25cm



■ REF. NO. 69013 Stainless
■ REF. NO. 69013-TI Titanium

LONG RETRACTOR ARM, 9", 22.5cm



■ REF. NO. 69015 Stainless
■ REF. NO. 69015-TI Titanium

PRIMARY BAR, 6", 15cm



■ REF. NO. 69019 Stainless
■ REF. NO. 69019-TI Titanium

STANDARD SECONDARY BAR, 12", 30cm



■ REF. NO. 69020 Stainless
■ REF. NO. 69020-TI Titanium

FLOATING SECONDARY BAR, 12", 30cm



■ REF. NO. 69022 Stainless
■ REF. NO. 69022-TI Titanium

ALUMINUM PATTY TRAY, 6¾" x 3", 16.8cm x 7.5cm



■ REF. NO. 69802

LARGE NEURO INSTRUMENT HOLDER, 9", 22.5cm



■ REF. NO. 69011 Up to 1" (2.5cm)

MAXI-VISE ADAPTER



■ REF. NO. 69021

SHORT COUPLER, 3", 7.5cm



■ REF. NO. 69026

SMALL INSTRUMENT HOLDER, 9", 22.5cm



■ REF. NO. 69012 Up to 5/16" (.8cm)

SHORT RETRACTOR ARM, 6½", 16.3cm



■ REF. NO. 69014

MICRO NEURO INSTRUMENT HOLDER, 9", 22.5cm



■ REF. NO. 69024
Clamps up to ⅙", .3cm

X-LARGE NEURO INSTRUMENT HOLDER



■ REF. NO. 69035 Clamps up to 2" (5cm)