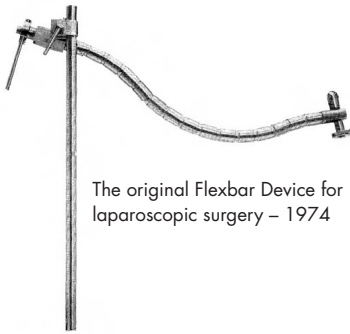


2 FLEXARM™ SURGICAL HOLDERS AND POSITIONERS

THE ORIGINAL SURGICAL ARM USED IN SURGERY SINCE 1969!



The original Flexbar Device for laparoscopic surgery – 1974



SINGLE ARM SYSTEM
REF. NO. 69045-QG10
includes 10mm Quick-Grip Scope Holding Attachment.

In 1965 David T. Adler developed the Flex Bar Industrial Holder and Positioner for use in Industrial Manufacturing Facilities. It became so popular; he named his company FLEXBAR® Machine Corporation. Within 4 years, the surgical community discovered the Flexbar Device and in 1969 a stainless steel version was used at the Cleveland Clinic in an Open Heart procedure.

In the early 1970's David Adler and Mel Greenberg, MD, designed a stereotactic neurosurgical retractor system that utilized a number of the flexible arms. Now, nearly 40 years later, the Greenberg System is still used in hospitals around the world.

The year 1974 saw what was, perhaps, the most significant use of the Flexbar Device. It was adapted to hold an operative laparoscope! In those days, before video could be attached to endoscopes, laparoscopy was limited to a few, relatively simple procedures... almost all of which were in Gynecology. Without video capabilities, the surgeon had to hold the scope and look directly through the eye piece. No one else in the room could see what the surgeon saw, so no one could assist. Additionally, the surgeon had only one free hand for instrumentation. Using the Flexbar Device to hold the scope allowed the surgeon to use 2 hands and spurred the development of more complex operative procedures. As demand for these devices rose, FLEXBAR created the Mediflex Division to market these (and other) products for surgical use. At the same time, the device was renamed - The Flex Arm™ Holder and Positioner.

Today, a wide variety of Flex Arm Products are available for all types of Laparoscopic Surgery. But they all have a number of features in common:

FLEXIBLE POSITIONING WITH ADJUSTABLE RIGIDITY

The arm will assume an almost unlimited number of positions and can be made tight enough to hold a given location, but loose enough to easily move to where the surgeon needs it.

HOLDS VIRTUALLY ANY INSTRUMENT, RETRACTOR OR SCOPE

Can reduce/eliminate hand-held retraction in laparoscopy.

Minimizes hand-held scope manipulation.

A range of distal tips can hold devices ranging from 1.5mm to 12.5mm in diameter.

ATTACHES TO OR TABLE RAIL IN A TRADITIONAL MANNER

No additional devices or tools required

AVAILABLE IN A VARIETY OF CONFIGURATIONS

Standard or Long Reach Models accommodate any size patient.

Single Arm Units available to hold scope or instrument.

Twin Arm Systems can hold scope and instrument.

All arms feature interchangeable distal tips for a wide range of uses.

ARMS LOCK WITH A SINGLE KNOB

Locking the arm in position is simple.

EASILY CONFORMS TO ALMOST ANY POSITION

Completely versatile in placement capability.

MADE IN U.S.A. FROM 100% SURGICAL GRADE STAINLESS STEEL

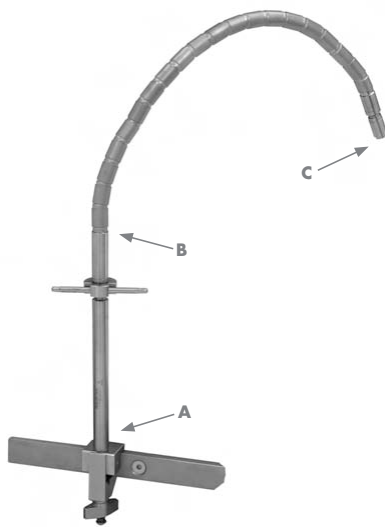
ONE PIECE DESIGN WITH BUILT-IN RAIL CLAMP
SIMPLICITY IN USE



STANDARD LENGTH ARMS

- **REF. NO. 69045-QC**
 Standard One-piece Flexible Arm with Quick Disconnect Hexagonal fitting
- **REF. NO. 69045-QG10**
 Standard One-piece Flexible Arm with Quick Disconnect Hexagonal Fitting and a 10mm Quick Grip Scope Holder
- **REF. NO. 69045-QG5**
 Standard One-piece Flexible Arm with Quick Disconnect Hexagonal Fitting and a 5mm Quick Grip Scope Holder

Dimensions of Standard Length Arms:
 Post Height (A to B) — 9.5" (24cm)
 Horizontal Reach (B to C) — 16" (40cm)
 Note: Tips will add about 3" (7.5cm) to Arm Length



LONG REACH ARM

- **REF. NO. 69702**
 Long Reach One-piece Flexible Arm with Quick Disconnect Hexagonal Fitting

Dimensions of Long Reach Arms:
 Post Height (A to B) — 9.5" (24cm)
 Horizontal Reach (B to C) — 21" (53cm)
 Note: Tips will add about 3" (7.5cm) to Arm Length

See pages 15 and 16 for available tips and retractors to fit all Mediflex Holders and Positioners equipped with the Quick Disconnect Feature. See page 15 for available Sterilizing Trays.



4 FLEXARM™ SURGICAL HOLDERS AND POSITIONERS

ONE-PIECE DESIGN WITH BUILT-IN RAIL CLAMP & DISTAL SWIVEL OPTION
SIMPLICITY IN USE, WITH A TWIST

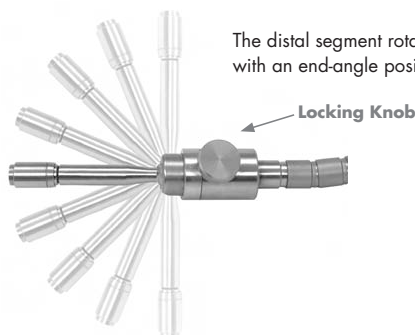
WHAT IS THE DISTAL SWIVEL OPTION?

After designing the original Bookwalter Table Mounted Retractor System with Mediflex founder David T. Adler, Dr Bookwalter continued to work with Mediflex, recommending product adaptations and improvements. One development was the Distal Swivel Option.

The Distal Swivel Option is an addition to Flex Arm Holders and Positioners that allows fine adjustments in the tip position without loosening the entire arm.

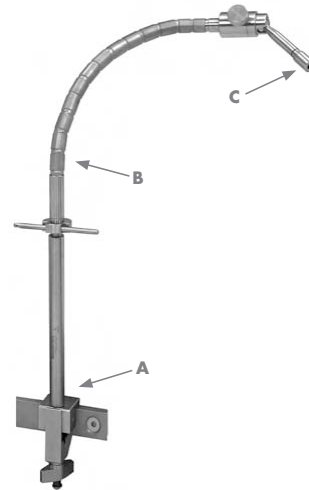


DISTAL SWIVEL OPTION



The distal segment rotates through 360° with an end-angle position of ± 90°

Locking Knob



■ **REF. NO. 69050-QC**
Standard One-piece Flexible Arm with Distal Swivel Option and Quick Disconnect Hexagonal fitting

Dimensions for Standard Arm with Distal Swivel Option

Post Height (A to B) — 9.5" (24cm)
Horizontal Reach (B to C) — 18" (46cm)
Note: Tips will add about 3" (7.5cm) to Arm Length

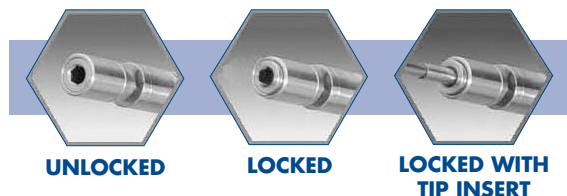
See pages 15 and 16 for available tips and retractors to fit all Mediflex Holders and Positioners equipped with the Quick Disconnect Feature. See page 15 for available Sterilizing Trays.



Mediflex has an informative Hospital Inservice program available on DVD. It reviews how to correctly set-up, position and care for your Flex Arm Surgical Holder and Positioner.

Contact Mediflex or your Mediflex Sales Representative and request Inservice Program HIS-002.

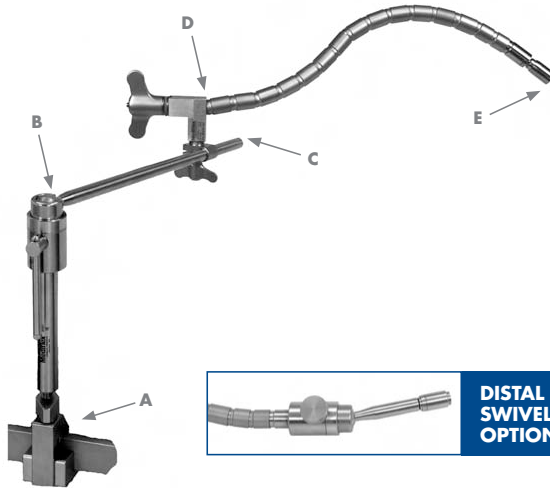
All Mediflex Holders and Positioners Include a Quick Disconnect Distal End. This allows any Mediflex Tip equipped with a Hex Fitting to attach to any arm. Available Tips are found on Pages 15 and 16.



FLEXARM™ SURGICAL HOLDERS AND POSITIONERS **5**

THE ORIGINAL UNIVERSAL SYSTEM WITH BUILT-IN RAIL CLAMP

EXPANDED MODULARITY, GREATER REACH, MORE OPTIONS



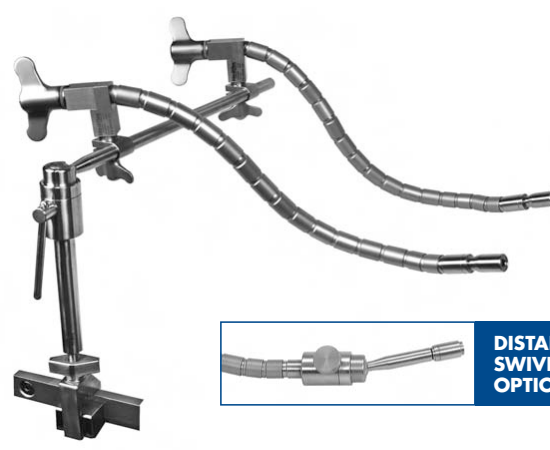
■ **REF. NO. 69054-QC**
Dimensions of Standard Length Arms:
 Post Height (A to B) — 8.5" (22cm)
 Horizontal Reach (B to C) — 12.5" (32cm)
 Arm Length (D to E) — 16.5" (42cm)
 Note: Tips will add about 3" (7.5cm) to Arm Length

STANDARD LENGTH POSTS, SINGLE ARMS

■ **REF. NO. 69054-QC**
 Universal Flex Arm System with one Flexible Arm that is equipped with a Quick Disconnect Hexagonal Fitting. The Swivel Post can be positioned and locked through 360° at the horizontal and at all angles to ±90°.

■ **REF. NO. 69054-QC-BS01**
 Universal Flex Arm System with one Flexible Arm that is equipped with a Quick Disconnect Hexagonal Fitting and a Distal Swivel Option (see pg 4 for explanation.)

■ **REF. NO. 69054-QC-BS01**
 Arm Length (D to E) — 20.5" (52cm)
 Note: Tips will add about 3" (7.5cm) to Arm Length



STANDARD LENGTH POSTS, SINGLE ARMS

■ **REF. NO. 69055-QC**
 Universal Twin Flex Arm System with two Flexible Arms that are equipped with a Quick Disconnect Hexagonal Fittings. The Swivel Post can be positioned and locked through 360° at the horizontal and at all angles to ±90°.

■ **REF. NO. 69055-QC-BS02**
 Universal Twin Flex Arm System with two Flexible Arms. Both arms are equipped with the Distal Swivel Option and a Quick Disconnect Hexagonal Fitting (see pg 4 for explanation.)

Dimensions Same as shown above

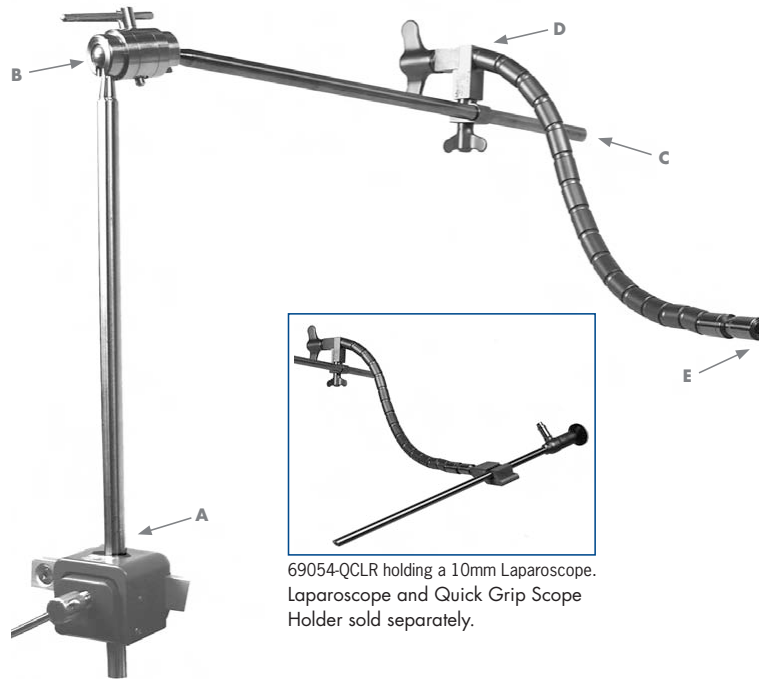
See pages 15 and 16 for available tips and retractors to fit all Mediflex Holders and Positioners equipped with the Quick Disconnect Feature. See page 15 for available Sterilizing Trays.



6 FLEXARM™ SURGICAL HOLDERS AND POSITIONERS

THE LONG REACH UNIVERSAL SYSTEM
EXPANDED MODULARITY, GREATEST REACH, EVEN MORE OPTIONS

All Long Reach, Height Adjustable Table Posts feature a Double Ball and Socket Joint each of which adjusts through 360°. This allows the upper post to be positioned in a virtually unlimited number of angle configurations.



69054-QCLR holding a 10mm Laparoscope. Laparoscope and Quick Grip Scope Holder sold separately.

LONG REACH POSTS, SINGLE ARMS

■ REF. NO. 69054-QCLR

Height Adjustable Long Reach Universal Flex Arm System with one Flexible Arm that is equipped with a Quick Disconnect Hexagonal Fitting.

This arm is most appropriate for holding a device such as a laparoscope. The Long Reach Series should be considered when patient size will vary greatly.

Standard Dimensions:

Post Height (A to B) – Adjustable 2" (5cm) to 16" (41cm)

Horizontal Reach (B to C) – 19" (48cm)

Arm Length (D to E) – 16.5" (42cm)

Note: Tips add about 3" (7.5cm) to Arm Length

■ REF. NO. 69054-QCLR-BS01

Height Adjustable Long Reach Universal Flex Arm System with one Flexible Arm that is equipped with a Quick Disconnect Hexagonal Fitting and a Distal Swivel Option. (Please see below).

Standard Dimensions:

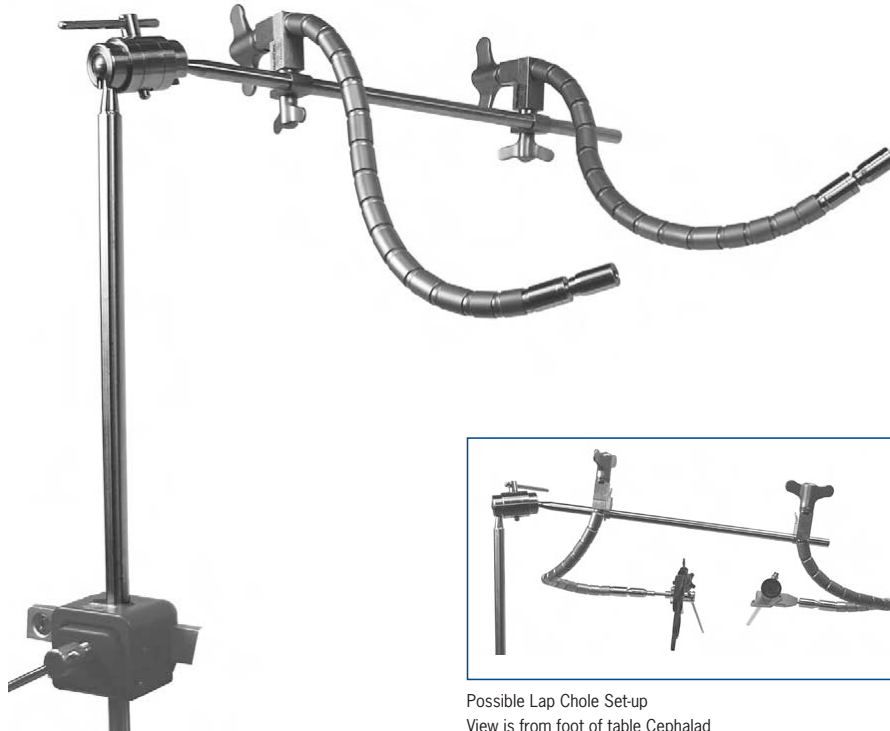
Note: Arm Length (D to E) increases to 20.5" (52cm)



See pages 15 and 16 for available tips and retractors to fit all Mediflex Holders and Positioners equipped with the Quick Disconnect Feature. See page 15 for available Sterilizing Trays.



THE LONG REACH UNIVERSAL SYSTEM
EXPANDED MODULARITY, GREATEST REACH, EVEN MORE OPTIONS



Possible Lap Chole Set-up
 View is from foot of table Cephalad

LONG REACH POSTS, TWIN ARMS

■ REF. NO. 69055-QCLR

Height Adjustable Long Reach Universal Twin Flex Arm System with two Flexible Arms both of which are equipped with Quick Disconnect Hexagonal Fittings.

This system is most appropriate for holding two devices that are not repositioned often during surgery. The most common use is holding both a Laparoscope and the Fundus Grasper during Lap Chole Procedures. An Example of that is shown in the inset photo above. The Long Reach Series should be considered when patient size will vary greatly.

Standard Dimensions: Same as those shown on page 6.

■ REF. NO. 69055-QCLR-BS02

Height Adjustable Long Reach Universal Twin Flex Arm System with two Flexible Arms. Both arms are equipped with the Distal Swivel Option and Quick Disconnect Hexagonal Fittings.

(Please see Page 4 for information about the Distal Swivel Option.)



DISTAL SWIVEL OPTION

See pages 15 and 16 for available tips and retractors to fit all Mediflex Holders and Positioners equipped with the Quick Disconnect Feature. See page 15 for available Sterilizing Trays.



8 FLEXARM™ SURGICAL HOLDERS AND POSITIONERS**UNIVERSAL SYSTEM COMPONENTS
EXPAND – REPLACE – UPGRADE
COMPANION ARMS FOR UNIVERSAL FLEXARM SYSTEMS****■ REF. NO. 69056-QC**

Companion Flex Arm Holding and Positioning Device with Quick Disconnect Distal Tip. Fits 1/2" (1.25cm) diameter round bars such as the upper arms on all Mediflex Universal Systems.

**■ REF. NO. 69303-AQC**

Companion Flex Arm Holding and Positioning Device with Quick Disconnect Distal Tip. Fits 1/2" (1.25cm) to 5/8" (1.6cm) diameter round bars such as the lower arms on all Mediflex Universal Systems, StrongArm™ Holding and Positioning Devices and Lap Rack Posts.

**■ REF. NO. 69056-QC-BS01**

Same as above but with Distal Swivel Option. (See page 4 for information on the Distal Swivel Option).

**■ REF. NO. 69303-BSQC**

Same as above but with Distal Swivel Option. (See page 4 for information on the Distal Swivel Option).

POSTS AND RAIL CLAMPS FOR UNIVERSAL FLEXARM SYSTEMS**■ REF. NO. 69098****■ REF. NO. 69098**

Long Reach Swivel Bar Mount Post for Universal Systems. Upper Arm rotates 360° horizontally and vertically. Lower Post is 5/8" (1.6cm) diameter, Upper post is 1/2" (1.25cm) diameter.

■ REF. NO. 69053

Swivel Bar Mount Post for Standard Universal Systems. Upper Arm rotates 360° and can be angled at any point $\pm 90^\circ$ from the vertical. Includes built-in Rail Clamp. Lower Post is 5/8" (1.6cm) diameter, Upper post is 1/2" (1.25cm) diameter.

**■ REF. NO. 69099**

Heavy Duty Rail Clamp for Long Reach Systems. Will support any 5/8" diameter Round Bar Posts such as those found on StrongArm™ Holders and Positioners and Lap Rack™ Instrument Racks.

**■ REF. NO. 72225**

Rail Clamp Adaptor. Adapts all Mediflex Rail Clamps to Carbon Fiber Tables.

**■ REF. NO. 91187**

Clark Socket. Allows all 5/8" vertical posts to be mounted at an angle (rotates 180°).

FLEXARM™ SURGICAL HOLDERS AND POSITIONERS **9**

THE BOOKLER® ENDOSCOPIC HOLDER AND POSITIONER
COMBINING TWO SURGICAL LANDMARKS – A BOOKWALTER-STYLED POST WITH THE FLEX ARM HOLDER AND POSITIONER



Two products that were designed at Mediflex combine to provide extremely versatile scope and instrument holders. The Bookler Endoscopic Holder is made to fit the 1" coupler found in Bookler and Bookwalter-style Systems. They are available with 12", 18" or 24" Field Posts making them ideal for Bariatric Surgery. If more height or reach is needed, the available Vertical Extension Bar Kit provides 10" that can angle up or out over the patient. All sets feature the Bookler Flex Arm with a Quick Disconnect Tip. All you have to add is the Clamping Holding Tip of your choice.

■ REF. NO. 72190

Bookler Endoscopic Holder and Positioner Set- 12" Post Contains:

Qty.	Ref. No.	Description/Size
1 ea	72011	Bookler Field Post, 12"
1 ea	72013-C	Bookler Post Coupler with Cam Lock
1 ea	72103	Bookler Flex Arm

■ REF. NO. 72191

Bookler Endoscopic Holder and Positioner Set- 18" Post Contains:

Qty.	Ref. No.	Description/Size
1 ea	72009	Bookler Field Post, 18"
1 ea	72013-C	Bookler Post Coupler with Cam Lock
1 ea	72103	Bookler Flex Arm

■ REF. NO. 72192

Bookler Endoscopic Holder and Positioner Set- 24" Post Contains:

Qty.	Ref. No.	Description/Size
1 ea	72010	Bookler Field Post, 24"
1 ea	72013-C	Bookler Post Coupler with Cam Lock
1 ea	72103	Bookler Flex Arm

See pages 15 and 16 for available tips and retractors to fit all Mediflex Holders and Positioners equipped with the Quick Disconnect Feature. See page 15 for available Sterilizing Trays.



72190 shown with optional 12" Vertical Extension Bar and Coupler Ref. No. 72193



OPTIONAL VERTICAL EXTENSION BAR KIT

■ REF. NO. 72193

These products can extend the height or reach of any Bookler or Bookwalter-Styled Field Post up to 10" (See photo left).

Qty.	Ref. No.	Description/Size
1 ea	72014	12" Vertical Extension Bar
1 ea	72013-C	Bookler Post Coupler with Cam Lock