

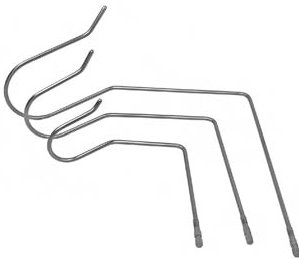
16 NATHANSON LIVER RETRACTORS AND SYSTEMS**NATHANSON HOOKS****THE FIRST LAPAROSCOPIC RETRACTOR THAT HOLDS THE ENTIRE LIVER**

Nathanson Hooks have proven to be ideal for Laparoscopic Liver Retraction. The 5mm Hooks are generally used in GERD Surgery while the 6.5mm Hooks are ideal for Bariatric Procedures. The Extra Long Tips available on the Medium and Large 6.5mm Hooks may facilitate entry in larger patients.

SETS OF HOOKS■ **REF. NO. 69709**

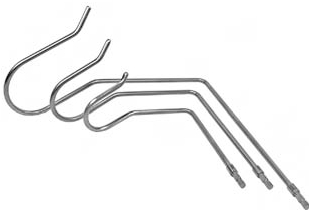
5mm Hook Set Contains 1 each of:

Ref. No. 69703, Small
Ref. No. 69704, Medium
Ref. No. 69705, Large

■ **REF. NO. 69710**

6.5mm Hook Set Contains 1 each of:

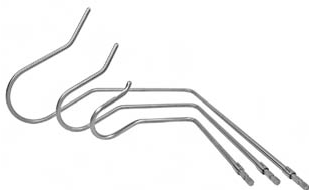
Ref. No. 69735, Small
Ref. No. 69736, Medium
Ref. No. 69737, Large

■ **REF. NO. 69710-XL**

6.5mm Extra Long Hook Set.

Contains 1 each of:

Ref. No. 69735, Small
Ref. No. 69736-XL, Medium, X-Long
Ref. No. 69737-XL, Large, X-Long

**INDIVIDUAL HOOKS****STANDARD, 5mm DIAMETER**

- **REF. NO. 69738** | Extra Small
- **REF. NO. 69703** | Small
- **REF. NO. 69704** | Medium
- **REF. NO. 69705** | Large

HEAVY, 6.5mm DIAMETER

- **REF. NO. 69735** | Small
- **REF. NO. 69736** | Medium
- **REF. NO. 69737** | Large

HEAVY, 6.5mm DIAMETER WITH LONGER TIP

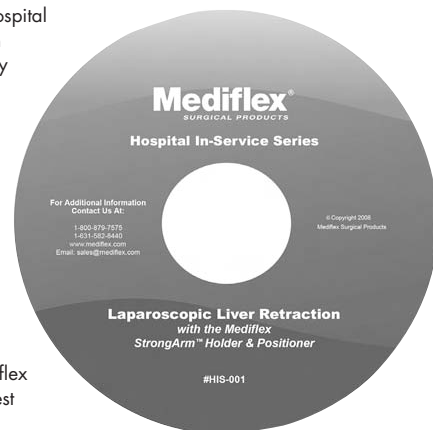
- **REF. NO. 69736-XL** | Medium
- **REF. NO. 69737-XL** | Large



Shown here is the small, 6.5mm Nathanson Hook

Mediflex has an informative Hospital Inservice program available on DVD. It reviews how to correctly set-up, position and care for your StrongArm Surgical Holder and Positioner. It also discusses the use of the Nathanson Liver Retractor in Laparoscopic Surgery. This DVD is valuable for the entire OR Team including surgeons who may not have had previous experience with Nathanson Hooks.

Contact Mediflex or your Mediflex Sales Representative and request Inservice Program HIS-001.



NATHANSON STRONGARM™ SYSTEMS

Each of the Systems below features Ref. No. 73000 Single Arm StrongArm Holder and Positioner along with 3 Nathanson Hooks and 2 Instruments Tips. The Hooks and Tips each feature The Mediflex Hexagonal Fitting that allows them to be easily attached to and removed from any Mediflex Surgical Holder and Positioner that has the Quick Disconnect Feature. These Systems are best for Bariatric Procedures.

■ SYSTEM NO. 73000-NLR

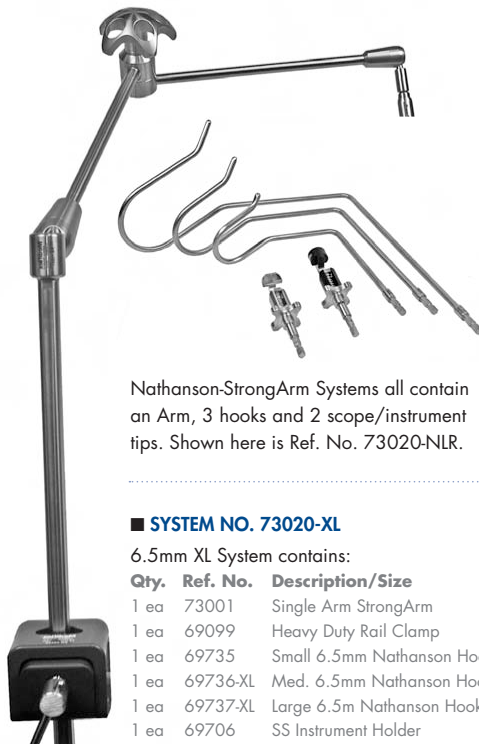
5mm System contains:

Qty.	Ref. No.	Description/Size
1 ea	73001	Single Arm StrongArm
1 ea	69099	Heavy Duty Rail Clamp
1 ea	69703	Small 5mm Nathanson Hook
1 ea	69704	Med. 5mm Nathanson Hook
1 ea	69705	Large 5mm Nathanson Hook
1 ea	69706	SS Instrument Holder
1 ea	69707	Delrin Scope Holder

■ SYSTEM NO. 73020-NLR

5mm System contains:

Qty.	Ref. No.	Description/Size
1 ea	73001	Single Arm StrongArm
1 ea	69099	Heavy Duty Rail Clamp
1 ea	69735	Small 6.5mm Nathanson Hook
1 ea	69736	Med. 6.5mm Nathanson Hook
1 ea	69737	Large 6.5mm Nathanson Hook
1 ea	69706	SS Instrument Holder
1 ea	69707	Delrin Scope Holder



Nathanson-StrongArm Systems all contain an Arm, 3 hooks and 2 scope/instrument tips. Shown here is Ref. No. 73020-NLR.

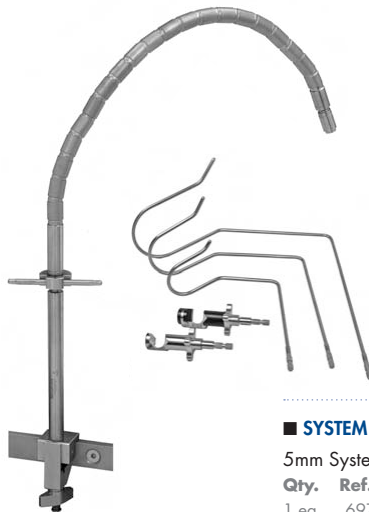
■ SYSTEM NO. 73020-XL

6.5mm XL System contains:

Qty.	Ref. No.	Description/Size
1 ea	73001	Single Arm StrongArm
1 ea	69099	Heavy Duty Rail Clamp
1 ea	69735	Small 6.5mm Nathanson Hook
1 ea	69736-XL	Med. 6.5mm Nathanson Hook XL
1 ea	69737-XL	Large 6.5mm Nathanson Hook XL
1 ea	69706	SS Instrument Holder
1 ea	69707	Delrin Scope Holder

NATHANSON FLEX ARM™ SYSTEMS

The Systems below features Ref. No. 69702 Long Reach Flex Arm Holder and Positioner along with 3 Nathanson Hooks and 2 Instruments Tips. The Hooks and Tips each feature The Mediflex Hexagonal Fitting that allows them to be easily attached to and removed from any Mediflex Surgical Holder and Positioner that has the Quick Disconnect Feature. These Systems are suggested for G.E.R.D Procedures such as Nissan Fundoplication.



Nathanson-Flex Arm Systems all contain an Arm, 3 hooks and 2 scope/instrument tips. Shown here is Ref. No. 69701.

■ SYSTEM NO. 69701

5mm System contains:

Qty.	Ref. No.	Description/Size
1 ea	69702	Long Reach Flex Arm
1 ea	69703	Small 5mm Nathanson Hook
1 ea	69704	Med. 5mm Nathanson Hook
1 ea	69705	Large 5mm Nathanson Hook
1 ea	69706	SS Instrument Holder
1 ea	69707	Delrin Scope Holder

■ SYSTEM NO. 69720

6.5mm System contains:

Qty.	Ref. No.	Description/Size
1 ea	69702	Long Reach Flex Arm
1 ea	69735	Small 6.5mm Nathanson Hook
1 ea	69736	Med. 6.5mm Nathanson Hook
1 ea	69737	Large 6.5mm Nathanson Hook
1 ea	69706	SS Instrument Holder
1 ea	69707	Delrin Scope Holder