

## NATHANSON STRONGARM™ SYSTEMS

Each of the Systems below features Ref. No. 73000 Single Arm StrongArm Holder and Positioner along with 3 Nathanson Hooks and 2 Instruments Tips. The Hooks and Tips each feature The Mediflex Hexagonal Fitting that allows them to be easily attached to and removed from any Mediflex Surgical Holder and Positioner that has the Quick Disconnect Feature. These Systems are best for Bariatric Procedures.

### ■ SYSTEM NO. 73000-NLR

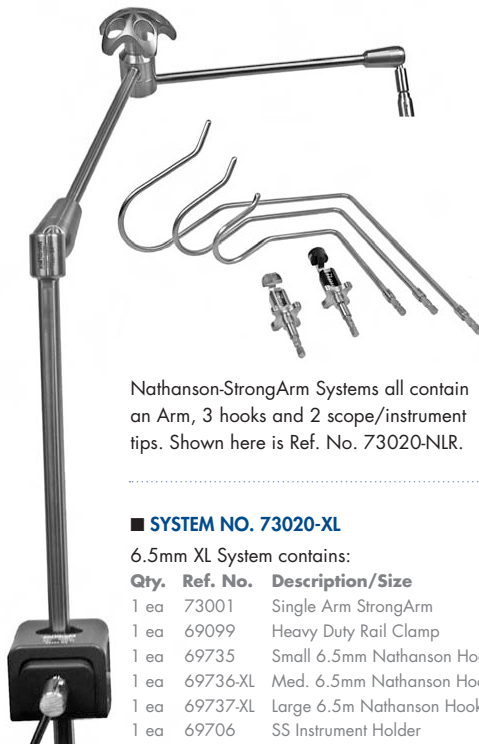
5mm System contains:

Qty.	Ref. No.	Description/Size
1 ea	73001	Single Arm StrongArm
1 ea	69099	Heavy Duty Rail Clamp
1 ea	69703	Small 5mm Nathanson Hook
1 ea	69704	Med. 5mm Nathanson Hook
1 ea	69705	Large 5mm Nathanson Hook
1 ea	69706	SS Instrument Holder
1 ea	69707	Delrin Scope Holder

### ■ SYSTEM NO. 73020-NLR

5mm System contains:

Qty.	Ref. No.	Description/Size
1 ea	73001	Single Arm StrongArm
1 ea	69099	Heavy Duty Rail Clamp
1 ea	69735	Small 6.5mm Nathanson Hook
1 ea	69736	Med. 6.5mm Nathanson Hook
1 ea	69737	Large 6.5mm Nathanson Hook
1 ea	69706	SS Instrument Holder
1 ea	69707	Delrin Scope Holder



Nathanson-StrongArm Systems all contain an Arm, 3 hooks and 2 scope/instrument tips. Shown here is Ref. No. 73020-NLR.

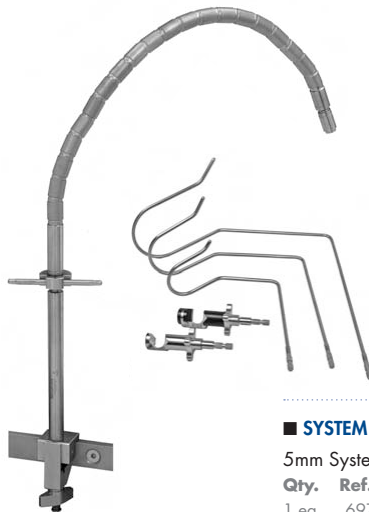
### ■ SYSTEM NO. 73020-XL

6.5mm XL System contains:

Qty.	Ref. No.	Description/Size
1 ea	73001	Single Arm StrongArm
1 ea	69099	Heavy Duty Rail Clamp
1 ea	69735	Small 6.5mm Nathanson Hook
1 ea	69736-XL	Med. 6.5mm Nathanson Hook XL
1 ea	69737-XL	Large 6.5mm Nathanson Hook XL
1 ea	69706	SS Instrument Holder
1 ea	69707	Delrin Scope Holder

## NATHANSON FLEX ARM™ SYSTEMS

The Systems below features Ref. No. 69702 Long Reach Flex Arm Holder and Positioner along with 3 Nathanson Hooks and 2 Instruments Tips. The Hooks and Tips each feature The Mediflex Hexagonal Fitting that allows them to be easily attached to and removed from any Mediflex Surgical Holder and Positioner that has the Quick Disconnect Feature. These Systems are suggested for G.E.R.D Procedures such as Nissan Fundoplication.



Nathanson-Flex Arm Systems all contain an Arm, 3 hooks and 2 scope/instrument tips. Shown here is Ref. No. 69701.

### ■ SYSTEM NO. 69701

5mm System contains:

Qty.	Ref. No.	Description/Size
1 ea	69702	Long Reach Flex Arm
1 ea	69703	Small 5mm Nathanson Hook
1 ea	69704	Med. 5mm Nathanson Hook
1 ea	69705	Large 5mm Nathanson Hook
1 ea	69706	SS Instrument Holder
1 ea	69707	Delrin Scope Holder

### ■ SYSTEM NO. 69720

6.5mm System contains:

Qty.	Ref. No.	Description/Size
1 ea	69702	Long Reach Flex Arm
1 ea	69735	Small 6.5mm Nathanson Hook
1 ea	69736	Med. 6.5mm Nathanson Hook
1 ea	69737	Large 6.5mm Nathanson Hook
1 ea	69706	SS Instrument Holder
1 ea	69707	Delrin Scope Holder