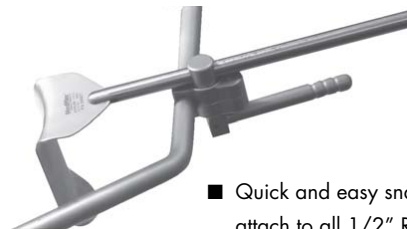


## THE MEDIFLEX® UNIVERSAL TABLE MOUNTED RETRACTOR SYSTEMS

The company that brought you the World Renowned Bookler® Table Mounted Retractor System... introduces the Mediflex Universal "Round Bar" Table Mounted Retractor System!

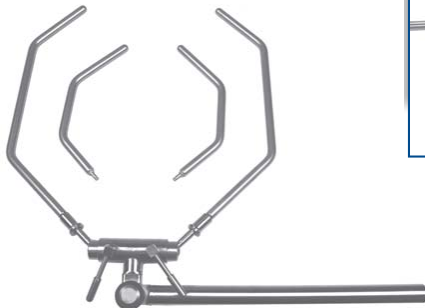


- A push-button swivel neck allows adjustment without loosening the arms.



- Utilizes same field post and coupler as the Mediflex Bookler™ System—will also fit Bookwalter Table Posts.
- "Wishbone" Style Frame feature independently locking arms. Separate cam locks allow fast, precise positioning of either arm.

- Quick and easy snap clamps attach to all 1/2" Round Bar Systems and hold all 3/8" Round Bar Swivel Blades.



- "Wishbone" Style Frame is available as a one-piece frame or with interchangeable arms.



### THE COMPANY THAT INNOVATES DOESN'T STOP!

A new Extension Bridge Kit quickly adapts to the adjustable "Wishbone" Style Frame and extends the frame to allow additional blade location.

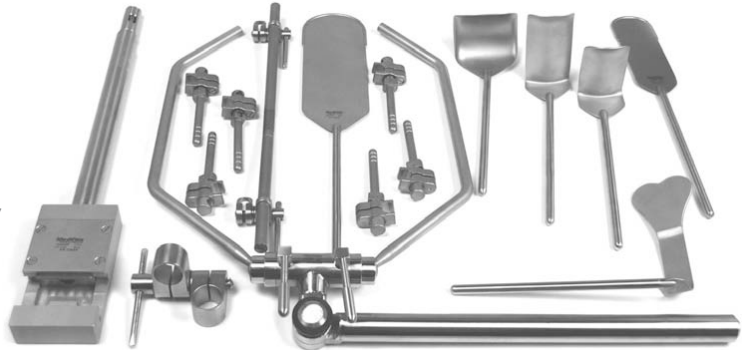
For more information or an evaluation of the Mediflex Universal System, please contact your Mediflex Distributor or visit us at <http://www.mediflex.com>.

**28** MEDIFLEX UNIVERSAL SYSTEMS

**GENERAL SURGERY BASIC SYSTEM  
LARGE FRAME**

■ **SYSTEM NO. 69600**

Qty.	Ref. No.	Description/Size
1 ea	72011	Field Post 12"
1 ea	72013	Post Coupling
1 ea	69589	Universal Frame
1 ea	69592	Extension Bridge Kit
6 ea	69187-S	Quick Lock Clamps
1 ea	69603	Balfour, 3" x 2 3/4"
1 ea	69604	Harrington, 1" x 5 5/8" x 2 1/2"
1 ea	69605	Malleable, 3" x 8"
1 ea	69606	Malleable, 2" x 6"
1 ea	69607	Kelly, 2" x 3"
1 ea	69608	Kelly, 2" x 4"

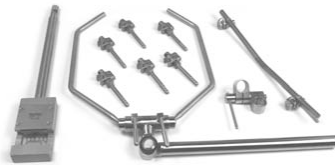


**BUILD YOUR OWN SYSTEMS**

Basic Systems without Blades

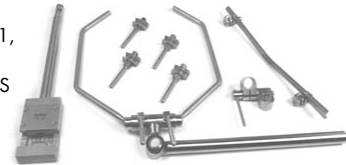
■ **SYSTEM NO. 69601**

Includes 1 each of 72011, 72013, 69589, 69592 and six each of 69187-S



■ **SYSTEM NO. 69602**

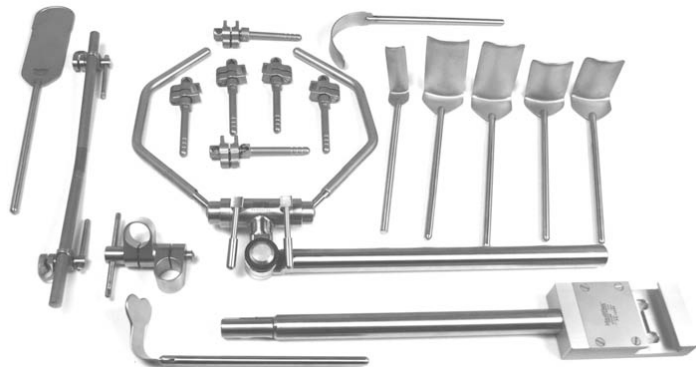
Includes 1 each of 72011, 72013, 69589, 69592 and four each of 69187-S



**SMALL INCISION BASIC SYSTEM  
MEDIUM FRAME**

■ **SYSTEM NO. 69610**

Qty.	Ref. No.	Description/Size
1 ea	72011	Field Post 12"
1 ea	72013	Post Coupling
1 ea	69589-S	Small Universal Frame
1 ea	69592	Extension Bridge Kit
6 ea	69187-S	Quick Lock Clamps
1 ea	72052-R	Deaver, 1" x 3 1/2"
1 ea	72109-R	Harrington, 1" x 2 1/2" x 2"
1 ea	69606	Malleable, 2" x 6"
1 ea	72107-R	Kelly, 1" x 3"
2 ea	69607	Kelly, 2" x 3"
2 ea	69608	Kelly, 2" x 4"

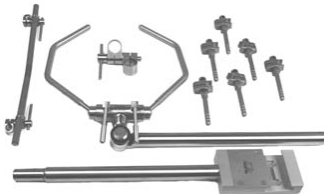


**BUILD YOUR OWN SMALL INCISION SYSTEMS**

Basic Systems without Blades

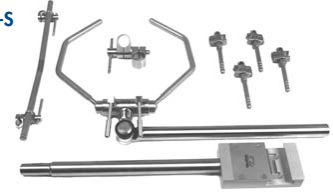
■ **SYSTEM NO. 69601-S**

Includes 1 each of 72011, 72013, 69589-S, 69592 and six each of 69187-S



■ **SYSTEM NO. 69602-S**

Includes 1 each of 72011, 72013, 69589-S, 69592 and four each of 69187-S



**RETRACTOR FRAME COMPONENTS**



■ **REF. NO. 69589**  
Universal Retractor  
One-piece Frame  
Large, 14" x 15"  
35cm x 37.5cm



■ **REF. NO. 69589-S**  
Universal Retractor  
One-piece Frame  
Small, 10" x 11"  
25cm x 27.5cm



■ **REF. NO. 69589-DA**  
Universal Retractor  
Frame for  
Interchangeable Arms



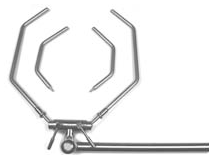
■ **REF. NO. 69217-L**  
Long Arms for 69589-DA



■ **REF. NO. 69217-S**  
Short Arms for  
69589-DA



■ **REF. NO. 69589-DAL**  
Retractor Frame for  
Interchangeable Arms  
with Long Arms,  
15" x 16"  
37.5cm x 40cm



■ **REF. NO. 69589-DALS**  
Retractor Frame for  
Interchangeable Arms  
with Both Arms



■ **REF. NO. 69589-DAS**  
Retractor Frame for  
Interchangeable Arms with  
Short Arms, 10" x 11"  
25cm x 27.5cm



■ **REF. NO. 69217-LS**  
Set of Long and Short  
Arms for 68589-DA

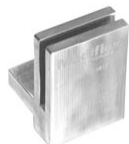
All dimensions as shown above.



■ **REF. NO. 69187-S**  
Quick-Lock Snap Clamp



■ **REF. NO. 72078**  
Malleable Fiber Optic Light Pipe. Can be  
attached to any Standard Fiber Optic Cable.  
Mounts on Mediflex Universal System with a  
standard Snap Clamp (#69187-S)



■ **REF. NO. 72007**  
Malleable Blade Bending and Shaping Tool.  
See page 19 for additional Information.



■ **REF. NO. 72013**  
Stainless Steel Coupler



■ **REF. NO. 72013-C**  
Quick Lock Post Coupler



■ **REF. NO. 72013-D**  
Delrin Coupler



■ **REF. NO. 72011**  
12", 30cm Field Post

■ **REF. NO. 72009**  
18", 40cm Field Post

■ **REF. NO. 72010**  
24", 60cm Field Post



■ **REF. NO. 72014**  
Vertical Extension Bar,  
12", 30cm




■ **REF. NO. 69592**  
Extension Bridge Kit

**COMPONENTS**

**30** MEDIFLEX UNIVERSAL COMPONENTS

**SWIVEL-STYLE RETRACTOR BLADES** Note: All Blade dimensions show Width x Depth unless specified.

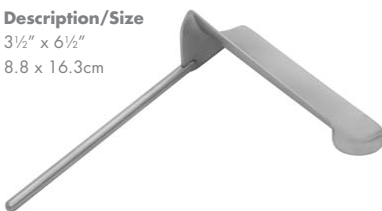
**BALFOUR/MAYO STYLE BLADES**

	<b>Ref. No.</b>	<b>Description/Size</b>
	69773-R	1" x 1", 2.5 x 2.5cm
	69774-R	2" x 2", 5 x 5cm
	69772-R	2 3/4" x 2", 6.9 x 5cm
	69603	3" x 2 5/8", 7.5 x 6.5cm
	72038-R	3 1/4" x 3", 8.1 x 7.5cm
	72185-R	3 1/2" x 2 3/8", 8.8 x 5.9cm
	72186-R	3 1/2" x 3 1/8", 8.8 x 7.8cm
	72187-R	3 1/2" x 3 7/8", 8.8 x 9.9cm

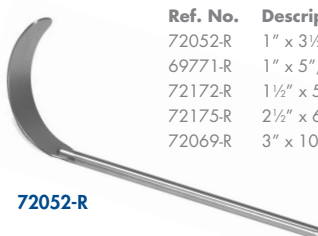
**"BIG BOY" BLADES**

	<b>Ref. No.</b>	<b>Description/Size</b>
	72062-R	2" x 6 1/2", 5 x 16.3cm
	72063-R	3" x 6 1/2", 7.5 x 16.3cm


**WEINBERG VAGOTOMY BLADE  
JOE'S HOE**

	<b>Ref. No.</b>	<b>Description/Size</b>
	69742	3 1/2" x 6 1/2" 8.8 x 16.3cm

**DEAVER BLADES**

	<b>Ref. No.</b>	<b>Description/Size</b>
	72052-R	1" x 3 1/2", 2.5 x 8.8cm
	69771-R	1" x 5", 2.5 x 12.5cm
	72172-R	1 1/2" x 5", 3.8 x 12.5cm
	72175-R	2 1/2" x 6", 6.3 x 15cm
72069-R	3" x 10 1/2", 7.5 x 26.3cm	


**SPLANCHNIC BLADE  
RIGID WITH LIP**

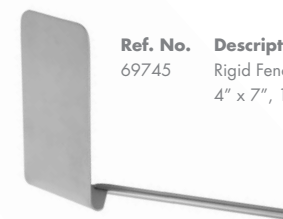
	<b>Ref. No.</b>	<b>Description/Size</b>
	72176-R	1 1/2" x 6", 4 x 15cm
	72177-R	2 3/8" x 4", 6 x 10cm
	72178-R	2 3/8" x 5 3/8", 6 x 14cm
	72179-R	2 3/8" x 7 1/4", 6 x 18cm
	72180-R	2 3/8" x 8 3/8", 6 x 21cm
	72181-R	3 1/4" x 4 3/4", 8 x 12cm
	72182-R	3 1/4" x 6 3/8", 8 x 16cm
	72071-R	4" x 5", 10 x 12.5cm
	72183-R	4" x 6", 10 x 15cm
	72184-R	4" x 8", 10 x 20cm

**UROLOGY BLADES**

	<b>Ref. No.</b>	<b>Description/Size</b>
	72057-R	Carroll Malleable 1 1/2" widening to 3 1/4" x 7" 3.8cm to 8.1cm x 17.5cm
	<b>Ref. No.</b>	<b>Description/Size</b>
	72160-R	Yu-Holtgrew 2" x 6 1/8", 5cm x 15.3cm

**FENCE BLADES**

	<b>Ref. No.</b>	<b>Description/Size</b>
	72072-R	Malleable 5" Tines 4" x 5" overall, 10 x 12.5cm

	<b>Ref. No.</b>	<b>Description/Size</b>
	69745	Rigid Fence, no lip 4" x 7", 10 x 17.5cm

Note: All Blade dimensions show Width x Depth unless specified.

**SWIVEL-STYLE RETRACTOR BLADES**

**MALLEABLE BLADES WITH PROTECTED EDGES**

See page 19 regarding a Malleable Blade Bending Tool.



■ REF. NO. 69762-R  
1/2" x 2 1/2", 1.3cm x 6.2cm



■ REF. NO. 72011-R  
1/2" x 4", 1.3cm x 10cm



■ REF. NO. 69763-R  
1/2" x 6", 1.3cm x 15cm



■ REF. NO. 69764-R  
1/2" x 8", 1.3cm x 20cm



■ REF. NO. 69765-R  
1" x 4", 2.5cm x 10cm



■ REF. NO. 72019-R  
1 1/2" x 6", 3.8cm x 15cm



■ REF. NO. 69766-R  
2" x 4", 5cm x 10cm



■ REF. NO. 69606  
2" x 6", 5cm x 15cm



■ REF. NO. 72066-R  
2" x 8", 5cm x 20cm



■ REF. NO. 72056-R  
2" x 10", 5cm x 25cm



■ REF. NO. 69605  
3" x 8", 7.5cm x 20cm



■ REF. NO. 69743  
3" x 10", 7.5cm x 25cm



■ REF. NO. 72053-R  
3" x 12", 7.5cm x 30cm



■ REF. NO. 72112-R  
4" x 8", 10cm x 20cm



■ REF. NO. 69744  
4" x 12", 10cm x 30cm



■ REF. NO. 72041-R  
6" x 12", 15cm x 30cm

**CUSTOM BLADES**

Mediflex can provide virtually any retractor style for use with Mediflex Universal or any other 1/2" Round Bar System. Most can be delivered in 3 to 4 weeks. Please contact Mediflex at 1-800-764-0474 or your local distributor for additional information.

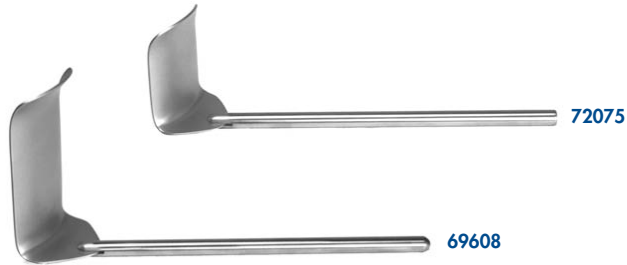
**RADIOLOGENT ALUMINUM BLADES ARE ALSO AVAILABLE.**

**32** MEDIFLEX UNIVERSAL COMPONENTS

**SWIVEL-STYLE RETRACTOR BLADES** Note: All Blade dimensions show Width x Depth unless specified.

**KELLY BLADES**

Ref. No.	Description/Size
72107-R	1" x 3", 2.5 x 7.5cm
69769-R	1½" x 2", 3.8 x 5cm
72075-R	2" x 2½", 5 x 6.3cm
69607	2" x 3", 5 x 7.5cm
69608	2" x 4", 5 x 10cm
69609	2" x 6", 5 x 15cm
72059-R	2" x 8", 5 x 20cm
69741	2½" x 10", 6.3 x 25cm



**HARRINGTON BLADES SWEETHEARTS**

Blade dimensions on Harringtons have 3 values.

The first number is the width of the blade at the handle, the second is the overall depth of the blade and the third is the width at the widest point.

Ref. No.	Description/Size
72109-R	1" x 2½" x 2" 2.5cm x 6.3cm x 5cm
69604	1" x 5½" x 2½" 2.5cm x 14cm x 6.3cm
72081-R	2½" x 8" x 3½" 6.3cm x 20cm x 8.8cm
72080-R	2½" x 5½" x 3½" 6.3cm x 14cm x 8.8cm
69740	1½" x 8" x 3½" 3.8cm x 20cm x 8.8cm



**MEDIFLEX® POSITRACTOR™ SURGICAL HOLDING AND POSITIONING DEVICES**

The Positraction Device's proximal clamp affixes to the ring of all commonly used retractor systems including Bookler Table Mounted Retractor System and the Mediflex Universal Table Mounted Retractor System. The distal clamp will hold a wide variety of surgical instruments up to 8mm in diameter including Army/Navy Retractors, Vein Retractors and vascular clamps. These Flexible Devices can be positioned in a virtually infinite number of shapes, and then tightened to hold that shape. They are particularly useful in holding retractor designs that are not included in a Table Mounted Set or for deeper retraction than a Table Mounted Set allows. There are 2 lengths available: 6" (15cm) and 9" (22.5cm).

