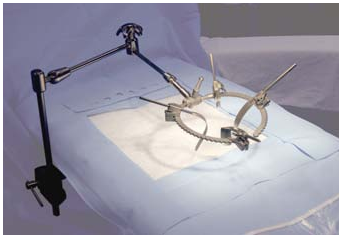


20 MINI-BOOKLER® SYSTEMS

THE MINI-BOOKLER® TABLE MOUNTED RETRACTOR SYSTEMS



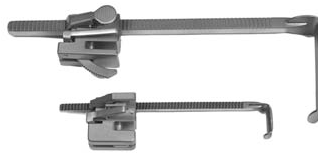
In 2008, Mediflex Surgical Products introduced the most significant design change in our Bookler Table Mounted

Retractor Systems since we began working with Dr. John Bookwalter over 30 years ago. By recognizing the needs of surgeons performing surgeries with smaller incisions and combining the genius of Dr. Bookwalter's original designs with other Mediflex innovations, we are proud to offer The Mini-Bookler System for Small Incision, Neonatal and Pediatric Surgery.

Along with "right-sizing" rings, ratchets and blades, the most significant change made was the

elimination of the traditional Field Post and Horizontal Bars. Instead, Mediflex "borrowed" a design from another of our Core Technologies and adapted a Height Adjustable StrongArm™ Surgical Holder and Positioner as the basis for the Mini-Bookler Table Mounted System. By having the ability to raise or lower the height of the "field post," we eliminate obstructions and allow every member of the surgical team to have unobstructed access to the surgical site.

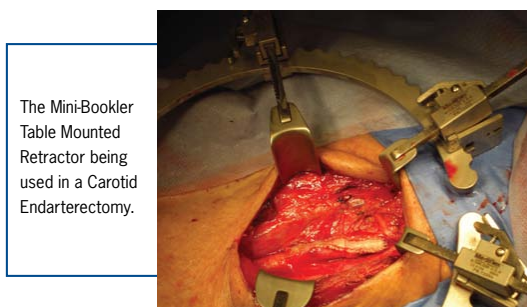
The Mini-Bookler Table Mounted Retractor System brings the same clinical advantages to Neonatal, pediatric and adult small incision surgery that the original Bookwalter Table Mounted System brought to abdominal surgery over 30 years ago. Perhaps the best description of the system was made by Dr. Bookwalter himself upon seeing the finished product. He exclaimed, "Wow! How cool is this!"



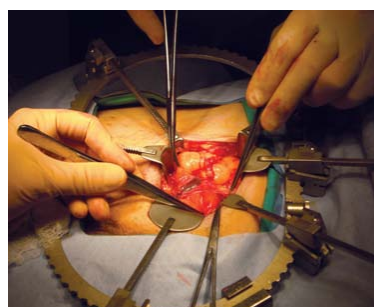
Original Bookler Tilt Ratchet and Blade
Mini-Bookler Tilt Ratchet and Blade

SUMMARY OF SOME OF THE CLINICAL ADVANTAGES OF THE MINI-BOOKLER TABLE MOUNTED SYSTEMS:

- Used in virtually the same way as a Bookwalter-Styled System
- Quick, easy set-up
- Fewer components than other table-mounted systems
- Table post is height adjustable
- Levers are not required to hold blades in place
- Mini-Twist Ratchet allows precise retraction
- Affords greater control than hand-held retractor
- Can easily be used in non-traditional settings such as NICU



The Mini-Bookler Table Mounted Retractor being used in a Carotid Endarterectomy.



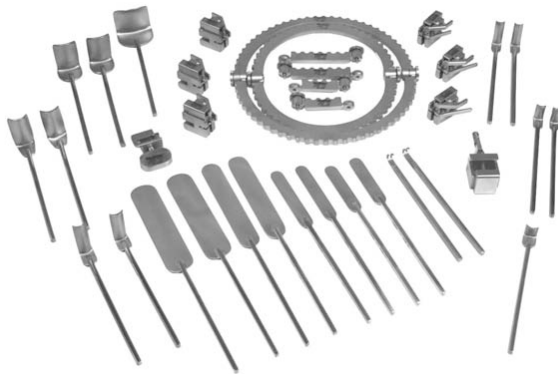
Inguinal Hernia using the Mini-Bookler Table Mounted Retractor for unparalleled surgical site exposure.

Above two photos courtesy of Herbert H. Dardik, MD.

MINI-BOOKLER® SYSTEMS FOR PEDIATRIC SURGERY **21**

MINI-BOOKLER TABLE MOUNTED SYSTEM FOR NEONATES AND INFANTS

Up to about 10 Kilos.



■ **SYSTEM NO. 72234**

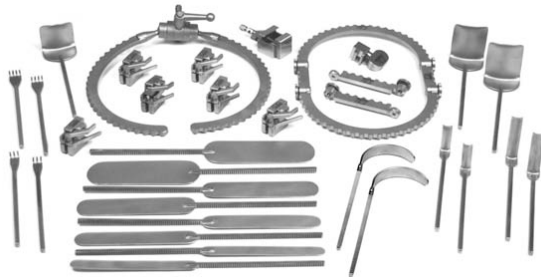
Here is a complete system for virtually any surgery performed on your smallest patients. The segmented rings allow you to make the perfect sized ring for abdominal and perineal procedures. A wide variety of blades allow for retraction of tissue and organs.

(Note: Must be used with Mediflex StrongArm™ Holder and Positioner. See Page 24).

Qty.	Ref. No.	Description/Size	Qty.	Ref. No.	Description/Size	Qty.	Ref. No.	Description/Size
1 ea	72280	Mini-Clasper	2 ea	72254	Blade, Kelly, 3/8" x 3/4"	2 ea	72251	Blade, Malleable, 1/2" x 2"
1 pr	72282	Round Segments, 5"	2 ea	72261	Blade, Kelly, 3/8" x 1 1/4"	2 ea	72259	Blade, Malleable, 1/2" x 2 1/2"
1 pr	72284	Round Segments, 6 1/2"	1 ea	72267	Blade, Kelly, 1/2" x 1/2"	2 ea	72272	Blade, Malleable, 3/4" x 4"
1 pr	72286	Straight Segments, 2"	2 ea	72262	Blade, Kelly, 1/2" x 1 1/2"	2 ea	72274	Blade, Malleable, 1" x 4"
1 pr	72288	Straight Segments, 3 1/2"	2 ea	72268	Blade, Kelly, 3/4" x 1 1/2"	2 ea	72256	2-Prong Hook, Blunt
6 ea	72294	Mini-Tilt Ratchets	2 ea	72269	Blade, Kelly, 1" x 1 1/2"			
1 ea	72290	Mini-Twist Ratchet	1 ea	72270	Blade, Kelly, 1 1/2" x 1 1/2"			

MINI-BOOKLER TABLE MOUNTED SYSTEM FOR TODDLERS

Up to about 15 Kilos



■ **SYSTEM NO. 72236**

For Surgery on pediatric patients up to about 15 Kilos, a larger "Wishbone" style ring as well as somewhat larger blades may be appropriate. This system provides just that.

(Note: Must be used with Mediflex StrongArm™ Holder and Positioner. See Page 24).

Qty.	Ref. No.	Description/Size	Qty.	Ref. No.	Description/Size	Qty.	Ref. No.	Description/Size
1 ea	72280	Mini-Clasper	2 ea	72261	Blade, Kelly, 3/8" x 1 1/4"	2 ea	72274	Blade, Malleable, 1" x 4"
1 ea	72295	Adjustable Split Ring, 7"	2 ea	72263	Blade, Kelly, 1/2" x 2"	2 ea	72275	Blade, Malleable, 1 1/2" x 4"
1 ea	72283	Seg Oval Ring, 5" x 7"	1 ea	72270	Blade, Kelly, 1 1/2" x 1 1/2"	2 ea	72252	3-Prong Hook, Blunt
1 pr	72288	Straight Segments, 3 1/2"	2 ea	72271	Blade, Kelly, 1 1/2" x 2"	2 ea	72257	4-Prong Hook, Blunt
6 ea	72294	Mini-Tilt Ratchets	2 ea	72273	Blade, Malleable, 1/2" x 4"	2 ea	72276	Blade, Deaver, 1/2" x 2"
1 ea	72290	Mini-Twist Ratchet	2 ea	72272	Blade, Malleable, 3/4" x 4"			

MINI-BOOKLER "DB" PEDIATRIC UROLOGY ACCESSORY KIT

■ **SYSTEM NO. 72227**

For many years, Pediatric Urologists have used a Dennis-Brown Retractor System for pediatric urology. Here are the 2 blade sizes most often used in pediatric surgery. They can be added to any complete Mini-Bookler System or to the Starter System found on page 29.

(Note: Must be used with Mediflex StrongArm™ Holder and Positioner. See Page 24).



Qty.	Ref. No.	Description/Size
4 ea	71181	DB Blade, 1" x 1 1/8"
4 ea	71180	DB Blade, 1 1/2" x 1 1/2"

See component pages, 25–26, for all metric equivalents.

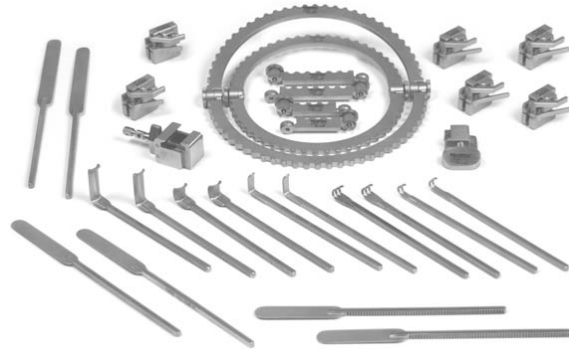
22 MINI-BOOKLER® SMALL INCISION SURGERY SYSTEMS

HEAD AND NECK PROCEDURES

■ **SYSTEM NO. 72230**

Whether Thyroid, Carotid or any other procedure done on the Head and Neck, this Mini-Bookler System provides the rings and the blades that will adapt to a virtually unlimited number of incision sites. The system gives the surgeon all of the advantages of a table mounted retractor system, but in a small, non-obtrusive size.

(Note: Must be used with Mediflex StrongArm™ Holder and Positioner. See Page 24).



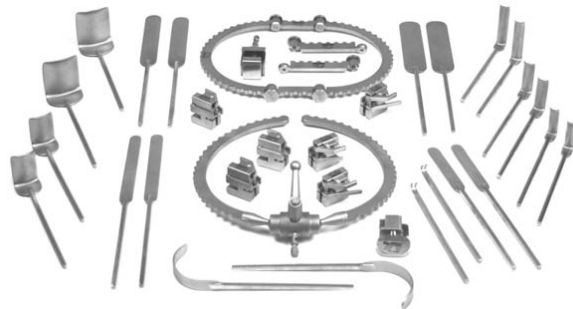
Qty.	Ref. No.	Description/Size	Qty.	Ref. No.	Description/Size	Qty.	Ref. No.	Description/Size
1 ea	72280	Mini-Clasper	6 ea	72294	Mini-Tilt Ratchets	2 ea	72259	Blade, Malleable, 1/2" x 2 1/2"
1 pr	72282	Round Segments, 5"	1 ea	72290	Mini-Twist Ratchet	2 ea	72273	Blade, Malleable, 1/2" x 4"
1 pr	72284	Round Segments, 6 1/2"	2 ea	72261	Blade, Kelly, 3/8" x 1 1/4"	2 ea	72250	Blade, Senn-Miller Solid
1 pr	72286	Straight Segments, 2"	2 ea	72267	Blade, Kelly, 1/2" x 1/2"	2 ea	72256	2-Prong Hook, Blunt
1 pr	72288	Straight Segments, 3 1/2"	2 ea	72251	Blade, Malleable, 1/2" x 2"	2 ea	72252	3-Prong Hook, Blunt

SMALL INCISION SURGERY

■ **SYSTEM NO. 72232**

The emergency Appendectomy at 2 am; the open hernia repair that more surgeons are doing again; scar revision... basically any surgery with small or shallow incisions that would benefit from a table mounted retractor system... here is the system.

(Note: Must be used with Mediflex StrongArm™ Holder and Positioner. See Page 24).



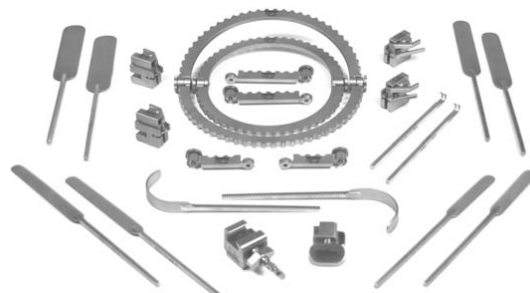
Qty.	Ref. No.	Description/Size	Qty.	Ref. No.	Description/Size	Qty.	Ref. No.	Description/Size
1 ea	72280	Mini-Clasper	2 ea	72261	Blade, Kelly, 3/8" x 1 1/4"	2 ea	72273	Blade, Malleable, 1/2" x 4"
1 ea	72295	Adjustable Split Ring, 7"	2 ea	72262	Blade, Kelly, 1/2" x 1 1/2"	2 ea	72274	Blade, Malleable, 1" x 4"
1 ea	72283	Seg Oval Ring, 5" x 7"	2 ea	72263	Blade, Kelly, 1/2" x 2"	2 ea	72275	Blade, Malleable, 1 1/2" x 4"
1 pr	72288	Straight Segments, 3 1/2"	2 ea	72269	Blade, Kelly, 1" x 1 1/2"	2 ea	72256	2-Prong Hook, Blunt
6 ea	72294	Mini-Tilt Ratchets	2 ea	72271	Blade, Kelly, 1 1/2" x 2"	2 ea	72276	Blade, Deaver, 1/2" x 2"
1 ea	72290	Mini-Twist Ratchet	2 ea	72259	Blade, Malleable, 1/2" x 2 1/2"			

PERINEAL SURGERY

■ **SYSTEM NO. 72228**

Vaginal Surgery, Rectal Surgery, Urology... retraction for any procedure using a perineal approach can be easily accomplished using the Mini-Bookler Perineal Surgery System shown here. A variety of ring and blade sizes allow you to create optimal visualization of the operative site.

(Note: Must be used with Mediflex StrongArm™ Holder and Positioner. See Page 24).

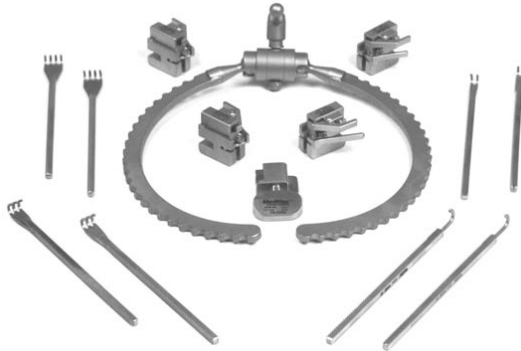


Qty.	Ref. No.	Description/Size	Qty.	Ref. No.	Description/Size	Qty.	Ref. No.	Description/Size
			1 pr	72288	Straight Segments, 3 1/2"			
1 ea	72280	Mini-Clasper	4 ea	72294	Mini-Tilt Ratchets	2 ea	72274	Blade, Malleable, 1" x 4"
1 pr	72282	Round Segments, 5"	1 ea	72290	Mini-Twist Ratchet	2 ea	72275	Blade, Malleable, 1 1/2" x 4"
1 pr	72284	Round Segments, 6 1/2"	2 ea	72259	Blade, Malleable, 1/2" x 2 1/2"	2 ea	72256-S	2-Prong Hook, Sharp
1 pr	72286	Straight Segments, 2"	2 ea	72273	Blade, Malleable, 1/2" x 4"	2 ea	72276	Blade, Deaver, 1/2" x 2"

HAND SURGERY

For surgeries of the hand, whether done by a Hand Surgeon, an Orthoped or a Plastic Surgeon, this is a great basic set. Four different hooks allow for a variety of exposures and you can add additional retractor blades as needed. Hooks are available sharp or blunt.

(Note: Must be used with Mediflex StrongArm™ Holder and Positioner. See Page 24).



■ SYSTEM NO. 72229-S

Qty.	Ref. No.	Description/Size
1 ea	72295	Adjustable Split Ring, 7"
4 ea	72294	Mini-Tilt Ratchets
1 ea	72290	Mini-Twist Ratchet
2 ea	72255-S	Single Hook, Sharp
2 ea	72256-S	Double Hook, Sharp
2 ea	72252-S	Triple Hook, Sharp
2 ea	72257-S	Quad Hook, Sharp

■ SYSTEM NO. 72229-B

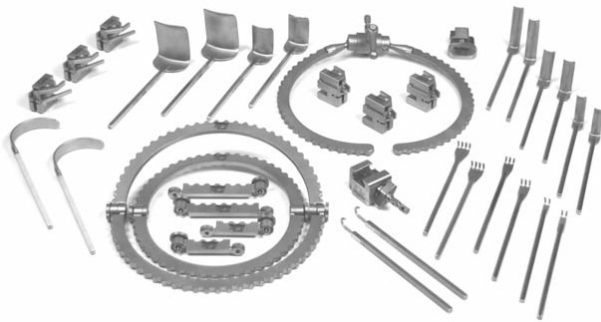
Qty.	Ref. No.	Description/Size
1 ea	72295	Adjustable Split Ring, 7"
4 ea	72294	Mini-Tilt Ratchets
1 ea	72290	Mini-Twist Ratchet
2 ea	72255	Single Hook, Blunt
2 ea	72256	Double Hook, Blunt
2 ea	72252	Triple Hook, Blunt
2 ea	72257	Quad Hook, Blunt

BREAST SURGERY AND AXILLARY NODE DISSECTION

■ CATALOG # 72231

This is the one set that the Breast Surgeon can use for node dissection, lumpectomies, radical mastectomies and even reconstructive procedures. The wide range of ring sizes and blades can be combined into an almost unlimited number of configurations.

(Note: Must be used with Mediflex StrongArm™ Holder and Positioner. See Page 24).



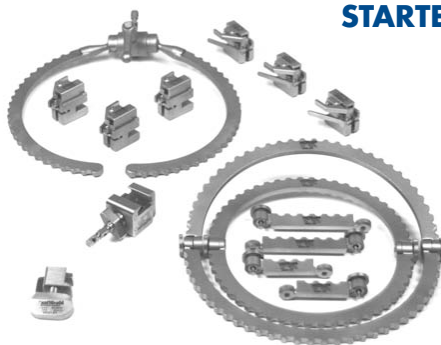
Qty.	Ref. No.	Description/Size
1 ea	72295	Adjustable Split Ring, 7"
1 pr	72282	Round Segments, 5"
1 pr	72284	Round Segments, 6½"
1 pr	72286	Straight Segments, 2"
1 pr	72288	Straight Segments, 3½"
1 ea	72280	Mini-Clasper
6 ea	72294	Mini-Tilt Ratchets
1 ea	72290	Mini-Twist Ratchet
2 ea	72261	Blade, Kelly, ⅜" x 1¼"
2 ea	72262	Blade, Kelly, ½" x 1½"
2 ea	72263	Blade, Kelly, ½" x 2"
2 ea	72269	Blade, Kelly, 1" x 1½"
2 ea	72271	Blade, Kelly, 1½" x 2"
2 ea	72276	Blade, Deaver, ½" x 2"
2 ea	72255-S	Single Hook, Sharp
2 ea	72256-S	Double Hook, Sharp
2 ea	72252-S	Triple Hook, Sharp
2 ea	72257-S	Quad Hook, Sharp

STARTER SYSTEM FOR SMALL INCISION SURGERY

■ SYSTEM NO. 72238

Here is everything you need except the blades. This allows you to customize a set for a particular procedure or surgeon. Add as many blades as necessary. A full list begins on page 25.

(Note: Must be used with Mediflex StrongArm™ Holder and Positioner. See Page 24).



Qty.	Ref. No.	Description/Size
1 ea	72280	Mini-Clasper
1 ea	72295	Adjustable Split Ring, 7"
1 pr	72282	Round Segments, 5"
1 pr	72284	Round Segments, 6½"
1 pr	72286	Straight Segments, 2"
1 pr	72288	Straight Segments, 3½"
6 ea	72294	Mini-Tilt Ratchets
1 ea	72290	Mini-Twist Ratchet

24 MINI-BOOKLER® RETRACTOR COMPONENTS

MOUNTING HARDWARE

■ REF. NO. 73000

STRONGARM™ HOLDER AND POSITIONER

Comes complete with rail clamp and quick disconnect tip.



Total reach is 23".
Height adjustable from 3½" to 11½".

■ REF. NO. 73000-5A

STRONGARM™ HOLDER AND POSITIONER

Features a short distal arm segment for use in neonatal surgery.
Comes complete with rail clamp and quick disconnect tip.



Total reach is 17".
Height adjustable from 3½" to 11½".

OTHER COMPONENTS



■ REF. NO. 72280

MINI-CLASPER

Used to attach segmented rings to the holder and positioner.



■ REF. NO. 72294

MINI-TILT RATCHET



■ REF. NO. 72290

MINI-TWIST RATCHET

Allows micro adjustment of ratcheted blades.



■ REF. NO. 72225

RAIL CLAMP ADAPTOR

While the Standard Rail Clamps of the StrongArm™ Devices will fit the vast majority of OR Tables, some carbon fiber tables have over-sized rails. This adaptor fits the oversized rails and will then hold any Mediflex rail mounted product.

MINI-BOOKLER® RETRACTOR COMPONENTS | RINGS **25**

SPLIT RINGS



- **REF. NO. 72295**
Adjustable Round Split Ring with Hex Fitting. 7" (17.5cm) Diameter in closed position.



OVAL SEGMENTED

- **REF. NO. 72283**
5" x 7", 12.5 x 17.5cm
- **REF. NO. 72287**
5" x 8½", 12.5 x 21.25cm
- **REF. NO. 72289**
6½" x 8½", 16.25 x 21.25cm
- **REF. NO. 72285**
6½" x 10", 16.25 x 25cm



ROUND SEGMENTS

- Sold as pairs.
- **REF. NO. 72282**
Ø5", 12.5cm
 - **REF. NO. 72284**
Ø6½", 16.25cm



STRAIGHT SEGMENTS
Sold as pairs

- **REF. NO. 72286**
2", 5cm
- **REF. NO. 72288**
3½", 8.75cm

Mini-Bookler Rings with notches, for use with disposable hooks, are available upon request.

Note: All Blade dimensions show Width x Depth unless specified.

KELLY BLADES
RETRACTOR BLADES



- **REF. NO. 72254**
¾" x ¾", .94 x 1.87cm



- **REF. NO. 72268**
¾" x 1½", 1.87 x 3.75cm



- **REF. NO. 72253**
¾" x 1", .94 x 2.5cm



- **REF. NO. 72278**
¾" x 2½", 1.87 x 6.25cm



- **REF. NO. 72261**
¾" x 1¼", .94 x 3.12cm



- **REF. NO. 72279**
¾" x 3", 1.87 x 7.5cm



- **REF. NO. 72267**
½" x ½", 1.25 x 1.25cm



- **REF. NO. 72269**
1" x 1½", 2.5 x 3.75cm



- **REF. NO. 72262**
½" x 1½", 1.25 x 3.75cm



- **REF. NO. 72270**
1½" x 1½", 3.75 x 3.75cm



- **REF. NO. 72263**
½" x 2", 1.25 x 5cm



- **REF. NO. 72271**
1½" x 2", 3.75 x 5cm

26 MINI-BOOKLER® RETRACTOR COMPONENTS**MALLEABLE BLADES**

Note: All Blade dimensions show Width x Depth unless specified.

- REF. NO. 72251 | ½" x 2", 1.25 x 5cm



- REF. NO. 72259 | ½" x 2½", 1.25 x 6.25cm



- REF. NO. 72272 | ¾" x 4", 1.87 x 10cm



- REF. NO. 72274 | 1" x 4", 2.5 x 10cm



- REF. NO. 72260 | ½" x 2¼", 1.25 x 5.6cm



- REF. NO. 72273 | ½" x 4", 1.25 x 10cm



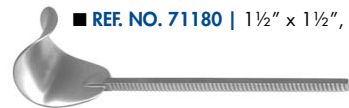
- REF. NO. 72277 | ¾" x 5", 1.87 x 12.5cm



- REF. NO. 72275 | 1½" x 4", 3.75 x 10cm

**BALFOUR BLADES** ALSO USED AS DENNIS-BROWN BLADES

- REF. NO. 71180 | 1½" x 1½", 3.75 x 3.75cm



- REF. NO. 71181 | 1" x 1½", 2.5 x 2.8cm

**HOOKS**

- REF. NO. 72255 | Single Hook, Blunt
- 72255-S | Single Hook, Sharp



- REF. NO. 72256 | Double Hook, Blunt
- 72256-S | Double Hook, Sharp



- REF. NO. 72252 | Triple Hook, Blunt
- 72252-S | Triple Hook, Sharp



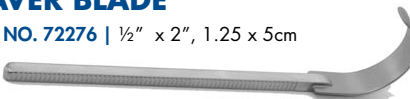
- REF. NO. 72257 | Quad Hook, Blunt
- 72257-S | Quad Hook, Sharp

SENN-MILLER SOLID BLADE

- REF. NO. 72250

**DEAVER BLADE**

- REF. NO. 72276 | ½" x 2", 1.25 x 5cm

**STERILIZATION CONTAINER FOR MINI-BOOKLER SYSTEMS**

- REF. NO. 72240

This tray features 2 inner baskets. The lower basket holds the StrongArm™ Positioner and Rail Clamp. This keeps the heavy components away from the more delicate rings, ratchets and blades which are placed in the upper basket. Shipped with a supply of Filters, Handle Seals and Paper Label/Process Indicators.

**REPLACEMENT PARTS**

- REF. NO. 72243 | Filter Pack
- REF. NO. 72244 | Handle Seals
- REF. NO. 72245 | Label/Process Indicator

The above all shipped in packs of 100 ea.

MOBILE POLE STAND

- REF. NO. 73100

Surgery performed in the NICU utilizing an Isolette or similar device can be accomplished by using the movable, lockable floor stand as shown to the right. We recommend use of the long version of the StrongArm™ Holder and Positioner (please see page 24) as it allows the floor stand to be a little further away from the Isolette.

