



Mediflex[®]
SURGICAL PRODUCTS

Surgical Holders and Positioners
Laparoscopic Instrumentation

LAP-1109

TABLE OF CONTENTS

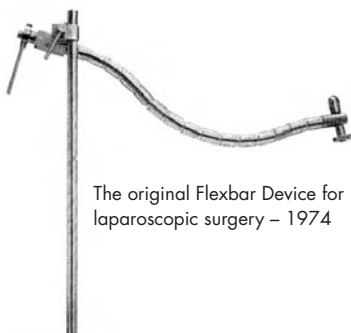
	PAGE
Flex Arm™ Surgical Holders and Positioners	
Introduction	2
One-piece Flex Arm Devices	3
One-piece Flex Arm Devices with the Distal Swivel Option	4
The Original Universal Flex Arm System; Single Arm and Twin Arm	5
The Long Reach Universal Flex Arm System; Single Arm	6
The Long Reach Universal Flex Arm System; Twin Arm	7
Companion Arms for Universal Systems	8
Posts and Rail Clamps for Universal Systems	8
The Bookler® Flex Arm System	9
Endoscope and Instrument Holding Tips	15
Sterilizing Trays	15
StrongArm™ Surgical Holders and Positioners	
Introduction	10
Single Arm StrongArm Systems	12-13
Twin Arm and Combo Arm Systems	14
Endoscope and Instrument Holding Tips	15
Sterilizing Trays	15
Nathanson Hooks for Liver Retraction	16
Nathanson Arm Systems	17
Laparoscopic Instruments	
Introduction	18
Handles and Shafts for Deluxe and Standard Modular Systems	19
Scissors and Shears Inserts for Deluxe and Standard Modular Systems	20
Dissector Inserts for Deluxe and Standard Modular Systems	21
Grasper and Clamp Inserts for Deluxe and Standard Modular Systems	22-24
Tenacula, Claw and Spoon Forceps Inserts for Deluxe and Standard Modular Systems	25
One-Piece Flushable Instruments	26
Anvil Graspers	26
Articulating Fan Retractors	26
Articulating Esophageal Dissectors and Retractors	26
Needle Holders	26
Other Reusable Laparoscopic Instrumentation	27
Autoclavable Laparoscopes	27
Kite Retractors	27
Monopolar Electrodes	27
“S” Retractors for Hasson Technique	27
Reusable Multi-Purpose Knot Pusher/Palpation Probe	27
Laparoscopic Instrument Holding and Positioning System	
Mediflex Draughn Lap Rack Intra Operative Laparoscopic Instrument Holder	28
Mediflex Disposable and Reposable Laparoscopic Products	
Cutting Edge™ Disposable Scissor and Dissector Tips	29
Reusable Handles for Cutting Edge Tips	29
Mediflex Disposable Laparoscopic Tissue Retrieval Bag System	30
Suture Grasper Closure Device	30
Disposable Verres Needles	31
Cholangiography Catheters	31
Numeric Index	32
Caring for your Mediflex Products	33



MEDIFLEX IS CERTIFIED TO STANDARDS:
ISO 13485:2003 AND ISO 9001:2008

2 FLEXARM™ SURGICAL HOLDERS AND POSITIONERS

THE ORIGINAL SURGICAL ARM USED IN SURGERY SINCE 1969!



The original Flexbar Device for laparoscopic surgery – 1974



SINGLE ARM SYSTEM
REF. NO. 69045-QG10
includes 10mm Quick-Grip Scope Holding Attachment.

In 1965 David T. Adler developed the Flex Bar Industrial Holder and Positioner for use in Industrial Manufacturing Facilities. It became so popular; he named his company FLEXBAR® Machine Corporation. Within 4 years, the surgical community discovered the Flexbar Device and in 1969 a stainless steel version was used at the Cleveland Clinic in an Open Heart procedure.

In the early 1970's David Adler and Mel Greenberg, MD, designed a stereotactic neurosurgical retractor system that utilized a number of the flexible arms. Now, nearly 40 years later, the Greenberg System is still used in hospitals around the world.

The year 1974 saw what was, perhaps, the most significant use of the Flexbar Device. It was adapted to hold an operative laparoscope! In those days, before video could be attached to endoscopes, laparoscopy was limited to a few, relatively simple procedures... almost all of which were in Gynecology. Without video capabilities, the surgeon had to hold the scope and look directly through the eye piece. No one else in the room could see what the surgeon saw, so no one could assist. Additionally, the surgeon had only one free hand for instrumentation. Using the Flexbar Device to hold the scope allowed the surgeon to use 2 hands and spurred the development of more complex operative procedures. As demand for these devices rose, FLEXBAR created the Mediflex Division to market these (and other) products for surgical use. At the same time, the device was renamed - The Flex Arm™ Holder and Positioner.

Today, a wide variety of Flex Arm Products are available for all types of Laparoscopic Surgery. But they all have a number of features in common:

FLEXIBLE POSITIONING WITH ADJUSTABLE RIGIDITY

The arm will assume an almost unlimited number of positions and can be made tight enough to hold a given location, but loose enough to easily move to where the surgeon needs it.

HOLDS VIRTUALLY ANY INSTRUMENT, RETRACTOR OR SCOPE

Can reduce/eliminate hand-held retraction in laparoscopy.

Minimizes hand-held scope manipulation.

A range of distal tips can hold devices ranging from 1.5mm to 12.5mm in diameter.

ATTACHES TO OR TABLE RAIL IN A TRADITIONAL MANNER

No additional devices or tools required

AVAILABLE IN A VARIETY OF CONFIGURATIONS

Standard or Long Reach Models accommodate any size patient.

Single Arm Units available to hold scope or instrument.

Twin Arm Systems can hold scope and instrument.

All arms feature interchangeable distal tips for a wide range of uses.

ARMS LOCK WITH A SINGLE KNOB

Locking the arm in position is simple.

EASILY CONFORMS TO ALMOST ANY POSITION

Completely versatile in placement capability.

MADE IN U.S.A. FROM 100% SURGICAL GRADE STAINLESS STEEL

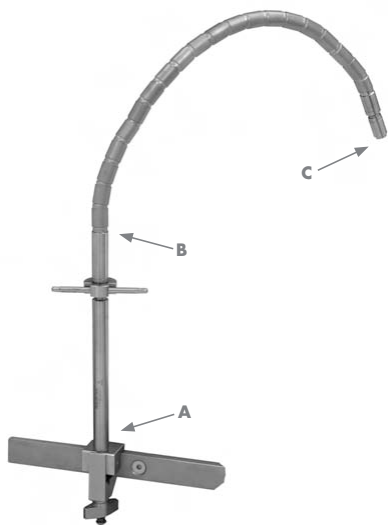
ONE PIECE DESIGN WITH BUILT-IN RAIL CLAMP
SIMPLICITY IN USE



STANDARD LENGTH ARMS

- **REF. NO. 69045-QC**
 Standard One-piece Flexible Arm with Quick Disconnect Hexagonal fitting
- **REF. NO. 69045-QG10**
 Standard One-piece Flexible Arm with Quick Disconnect Hexagonal Fitting and a 10mm Quick Grip Scope Holder
- **REF. NO. 69045-QG5**
 Standard One-piece Flexible Arm with Quick Disconnect Hexagonal Fitting and a 5mm Quick Grip Scope Holder

Dimensions of Standard Length Arms:
 Post Height (A to B) — 9.5" (24cm)
 Horizontal Reach (B to C) — 16" (40cm)
 Note: Tips will add about 3" (7.5cm) to Arm Length



LONG REACH ARM

- **REF. NO. 69702**
 Long Reach One-piece Flexible Arm with Quick Disconnect Hexagonal Fitting

Dimensions of Long Reach Arms:
 Post Height (A to B) — 9.5" (24cm)
 Horizontal Reach (B to C) — 21" (53cm)
 Note: Tips will add about 3" (7.5cm) to Arm Length

See pages 15 and 16 for available tips and retractors to fit all Mediflex Holders and Positioners equipped with the Quick Disconnect Feature. See page 15 for available Sterilizing Trays.



4 FLEXARM™ SURGICAL HOLDERS AND POSITIONERS

ONE-PIECE DESIGN WITH BUILT-IN RAIL CLAMP & DISTAL SWIVEL OPTION
SIMPLICITY IN USE, WITH A TWIST

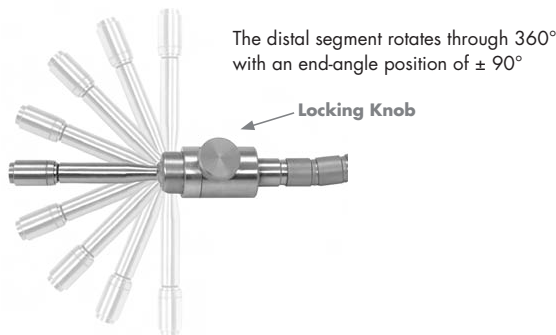
WHAT IS THE DISTAL SWIVEL OPTION?

After designing the original Bookwalter Table Mounted Retractor System with Mediflex founder David T. Adler, Dr Bookwalter continued to work with Mediflex, recommending product adaptations and improvements. One development was the Distal Swivel Option.

The Distal Swivel Option is an addition to Flex Arm Holders and Positioners that allows fine adjustments in the tip position without loosening the entire arm.

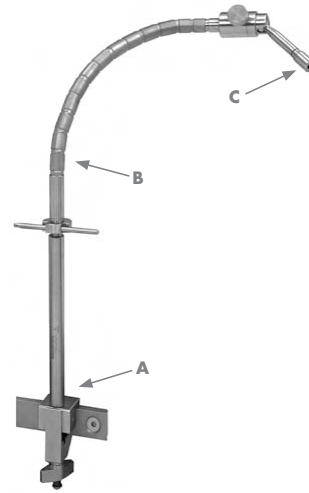


DISTAL SWIVEL OPTION



The distal segment rotates through 360° with an end-angle position of ± 90°

Locking Knob



REF. NO. 69050-QC

Standard One-piece Flexible Arm with Distal Swivel Option and Quick Disconnect Hexagonal fitting

Dimensions for Standard Arm with Distal Swivel Option

Post Height (A to B) — 9.5" (24cm)

Horizontal Reach (B to C) — 18" (46cm)

Note: Tips will add about 3" (7.5cm) to Arm Length

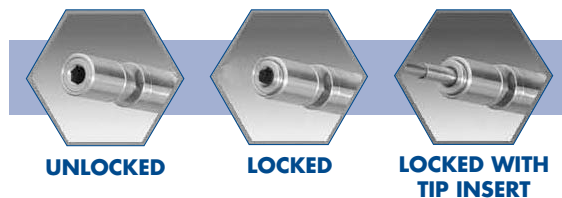
See pages 15 and 16 for available tips and retractors to fit all Mediflex Holders and Positioners equipped with the Quick Disconnect Feature. See page 15 for available Sterilizing Trays.



Mediflex has an informative Hospital Inservice program available on DVD. It reviews how to correctly set-up, position and care for your Flex Arm Surgical Holder and Positioner.

Contact Mediflex or your Mediflex Sales Representative and request Inservice Program HIS-002.

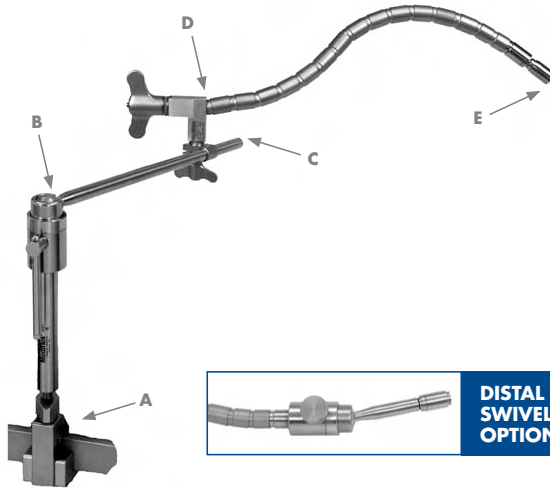
All Mediflex Holders and Positioners Include a Quick Disconnect Distal End. This allows any Mediflex Tip equipped with a Hex Fitting to attach to any arm. Available Tips are found on Pages 15 and 16.



FLEXARM™ SURGICAL HOLDERS AND POSITIONERS **5**

THE ORIGINAL UNIVERSAL SYSTEM WITH BUILT-IN RAIL CLAMP

EXPANDED MODULARITY, GREATER REACH, MORE OPTIONS



■ **REF. NO. 69054-QC**

Dimensions of Standard Length Arms:

- Post Height (A to B) — 8.5" (22cm)
- Horizontal Reach (B to C) — 12.5" (32cm)
- Arm Length (D to E) — 16.5" (42cm)
- Note: Tips will add about 3" (7.5cm) to Arm Length

STANDARD LENGTH POSTS, SINGLE ARMS

■ **REF. NO. 69054-QC**

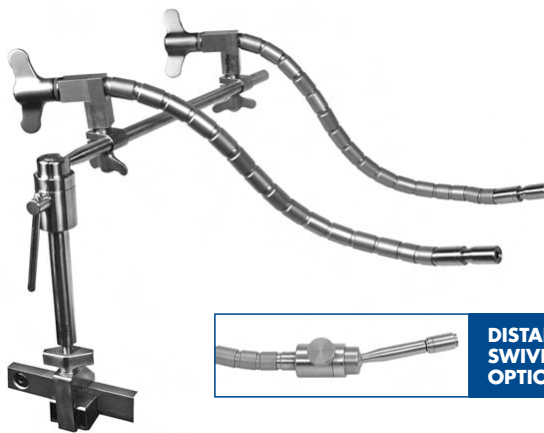
Universal Flex Arm System with one Flexible Arm that is equipped with a Quick Disconnect Hexagonal Fitting. The Swivel Post can be positioned and locked through 360° at the horizontal and at all angles to ±90°.

■ **REF. NO. 69054-QC-BS01**

Universal Flex Arm System with one Flexible Arm that is equipped with a Quick Disconnect Hexagonal Fitting and a Distal Swivel Option (see pg 4 for explanation.)

■ **REF. NO. 69054-QC-BS01**

- Arm Length (D to E) — 20.5" (52cm)
- Note: Tips will add about 3" (7.5cm) to Arm Length



STANDARD LENGTH POSTS, SINGLE ARMS

■ **REF. NO. 69055-QC**

Universal Twin Flex Arm System with two Flexible Arms that are equipped with a Quick Disconnect Hexagonal Fittings. The Swivel Post can be positioned and locked through 360° at the horizontal and at all angles to ±90°.

■ **REF. NO. 69055-QC-BS02**

Universal Twin Flex Arm System with two Flexible Arms. Both arms are equipped with the Distal Swivel Option and a Quick Disconnect Hexagonal Fitting (see pg 4 for explanation.)

Dimensions Same as shown above

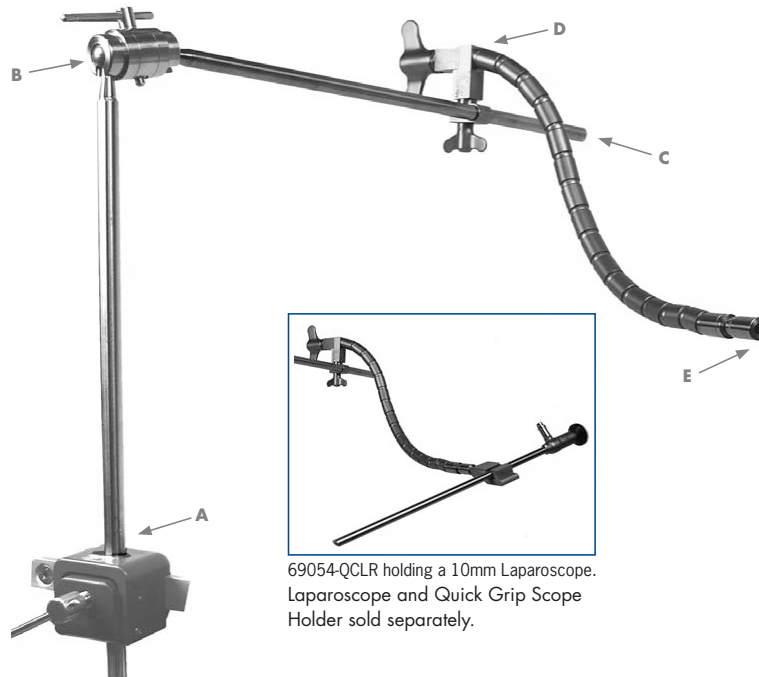
See pages 15 and 16 for available tips and retractors to fit all Mediflex Holders and Positioners equipped with the Quick Disconnect Feature. See page 15 for available Sterilizing Trays.



6 FLEXARM™ SURGICAL HOLDERS AND POSITIONERS

THE LONG REACH UNIVERSAL SYSTEM
EXPANDED MODULARITY, GREATEST REACH, EVEN MORE OPTIONS

All Long Reach, Height Adjustable Table Posts feature a Double Ball and Socket Joint each of which adjusts through 360°. This allows the upper post to be positioned in a virtually unlimited number of angle configurations.



69054-QCLR holding a 10mm Laparoscope. Laparoscope and Quick Grip Scope Holder sold separately.

LONG REACH POSTS, SINGLE ARMS

■ REF. NO. 69054-QCLR

Height Adjustable Long Reach Universal Flex Arm System with one Flexible Arm that is equipped with a Quick Disconnect Hexagonal Fitting.

This arm is most appropriate for holding a device such as a laparoscope. The Long Reach Series should be considered when patient size will vary greatly.

Standard Dimensions:

Post Height (A to B) – Adjustable 2" (5cm) to 16" (41cm)

Horizontal Reach (B to C) – 19" (48cm)

Arm Length (D to E) – 16.5" (42cm)

Note: Tips add about 3" (7.5cm) to Arm Length

■ REF. NO. 69054-QCLR-BS01

Height Adjustable Long Reach Universal Flex Arm System with one Flexible Arm that is equipped with a Quick Disconnect Hexagonal Fitting and a Distal Swivel Option. (Please see below).

Standard Dimensions:

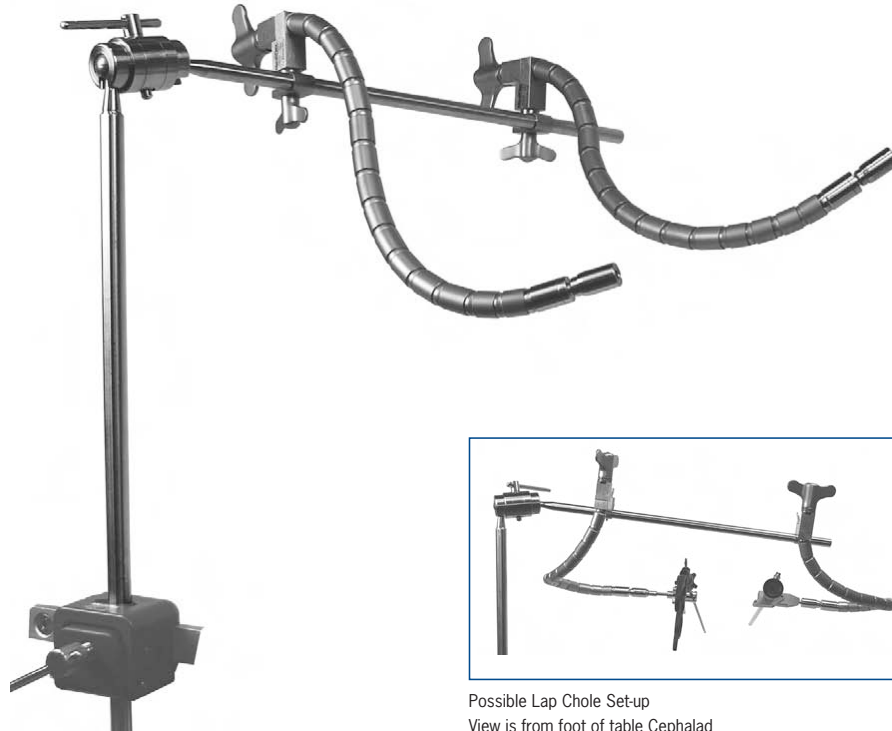
Note: Arm Length (D to E) increases to 20.5" (52cm)



See pages 15 and 16 for available tips and retractors to fit all Mediflex Holders and Positioners equipped with the Quick Disconnect Feature. See page 15 for available Sterilizing Trays.



THE LONG REACH UNIVERSAL SYSTEM
EXPANDED MODULARITY, GREATEST REACH, EVEN MORE OPTIONS



Possible Lap Chole Set-up
 View is from foot of table Cephalad

LONG REACH POSTS, TWIN ARMS

■ REF. NO. 69055-QCLR

Height Adjustable Long Reach Universal Twin Flex Arm System with two Flexible Arms both of which are equipped with Quick Disconnect Hexagonal Fittings.

This system is most appropriate for holding two devices that are not repositioned often during surgery. The most common use is holding both a Laparoscope and the Fundus Grasper during Lap Chole Procedures. An Example of that is shown in the inset photo above. The Long Reach Series should be considered when patient size will vary greatly.

Standard Dimensions: Same as those shown on page 6.

■ REF. NO. 69055-QCLR-BS02

Height Adjustable Long Reach Universal Twin Flex Arm System with two Flexible Arms. Both arms are equipped with the Distal Swivel Option and Quick Disconnect Hexagonal Fittings.

(Please see Page 4 for information about the Distal Swivel Option.)



DISTAL SWIVEL OPTION

See pages 15 and 16 for available tips and retractors to fit all Mediflex Holders and Positioners equipped with the Quick Disconnect Feature. See page 15 for available Sterilizing Trays.



8 FLEXARM™ SURGICAL HOLDERS AND POSITIONERS**UNIVERSAL SYSTEM COMPONENTS**

EXPAND – REPLACE – UPGRADE

COMPANION ARMS FOR UNIVERSAL FLEXARM SYSTEMS■ **REF. NO. 69056-QC**

Companion Flex Arm Holding and Positioning Device with Quick Disconnect Distal Tip. Fits 1/2" (1.25cm) diameter round bars such as the upper arms on all Mediflex Universal Systems.

■ **REF. NO. 69303-AQC**

Companion Flex Arm Holding and Positioning Device with Quick Disconnect Distal Tip. Fits 1/2" (1.25cm) to 5/8" (1.6cm) diameter round bars such as the lower arms on all Mediflex Universal Systems, StrongArm™ Holding and Positioning Devices and Lap Rack Posts.

■ **REF. NO. 69056-QC-BS01**

Same as above but with Distal Swivel Option. (See page 4 for information on the Distal Swivel Option).

■ **REF. NO. 69303-BSQC**

Same as above but with Distal Swivel Option. (See page 4 for information on the Distal Swivel Option).

POSTS AND RAIL CLAMPS FOR UNIVERSAL FLEXARM SYSTEMS■ **REF. NO. 69098**■ **REF. NO. 69053**■ **REF. NO. 69098**

Long Reach Swivel Bar Mount Post for Universal Systems. Upper Arm rotates 360° horizontally and vertically. Lower Post is 5/8" (1.6cm) diameter, Upper post is 1/2" (1.25cm) diameter.

■ **REF. NO. 69053**

Swivel Bar Mount Post for Standard Universal Systems. Upper Arm rotates 360° and can be angled at any point $\pm 90^\circ$ from the vertical. Includes built-in Rail Clamp. Lower Post is 5/8" (1.6cm) diameter, Upper post is 1/2" (1.25cm) diameter.

■ **REF. NO. 69099**

Heavy Duty Rail Clamp for Long Reach Systems. Will support any 5/8" diameter Round Bar Posts such as those found on StrongArm™ Holders and Positioners and Lap Rack™ Instrument Racks.

■ **REF. NO. 72225**

Rail Clamp Adaptor. Adapts all Mediflex Rail Clamps to Carbon Fiber Tables.

■ **REF. NO. 91187**

Clark Socket. Allows all 5/8" vertical posts to be mounted at an angle (rotates 180°).

FLEXARM™ SURGICAL HOLDERS AND POSITIONERS **9**

THE BOOKLER® ENDOSCOPIC HOLDER AND POSITIONER
COMBINING TWO SURGICAL LANDMARKS –
A BOOKWALTER-STYLED POST WITH THE FLEX ARM HOLDER AND POSITIONER



Two products that were designed at Mediflex combine to provide extremely versatile scope and instrument holders. The Bookler Endoscopic Holder is made to fit the 1" coupler found in Bookler and Bookwalter-style Systems. They are available with 12", 18" or 24" Field Posts making them ideal for Bariatric Surgery. If more height or reach is needed, the available Vertical Extension Bar Kit provides 10" that can angle up or out over the patient. All sets feature the Bookler Flex Arm with a Quick Disconnect Tip. All you have to add is the Clamping Holding Tip of your choice.

■ REF. NO. 72190

Bookler Endoscopic Holder and Positioner Set- 12" Post Contains:

Qty.	Ref. No.	Description/Size
1 ea	72011	Bookler Field Post, 12"
1 ea	72013-C	Bookler Post Coupler with Cam Lock
1 ea	72103	Bookler Flex Arm

■ REF. NO. 72191

Bookler Endoscopic Holder and Positioner Set- 18" Post Contains:

Qty.	Ref. No.	Description/Size
1 ea	72009	Bookler Field Post, 18"
1 ea	72013-C	Bookler Post Coupler with Cam Lock
1 ea	72103	Bookler Flex Arm

■ REF. NO. 72192

Bookler Endoscopic Holder and Positioner Set- 24" Post Contains:

Qty.	Ref. No.	Description/Size
1 ea	72010	Bookler Field Post, 24"
1 ea	72013-C	Bookler Post Coupler with Cam Lock
1 ea	72103	Bookler Flex Arm

See pages 15 and 16 for available tips and retractors to fit all Mediflex Holders and Positioners equipped with the Quick Disconnect Feature. See page 15 for available Sterilizing Trays.



72190 shown with optional 12" Vertical Extension Bar and Coupler Ref. No. 72193



OPTIONAL VERTICAL EXTENSION BAR KIT

■ REF. NO. 72193

These products can extend the height or reach of any Bookler or Bookwalter-Styled Field Post up to 10" (See photo left).

Qty.	Ref. No.	Description/Size
1 ea	72014	12" Vertical Extension Bar
1 ea	72013-C	Bookler Post Coupler with Cam Lock

10 STRONGARM™ SURGICAL HOLDERS AND POSITIONERS**THE ULTIMATE IN ADJUSTABLE RIGIDITY**

In recent years two laparoscopic procedures that required retraction of the Liver became commonplace. Both Bariatric and GERD procedures necessitate keeping the liver elevated for virtually the entire procedure. Many methods were tried with varying degrees of success. But in late 2007 Mediflex coupled a new type of Liver Retractor with a newly designed Rigid Arm System. Introduced as the Nathanson StrongArm Liver Retraction System it took the laparoscopic community by

storm. Finally, surgeons could easily lift and hold the liver out of the way without the retractor sagging or a human retractor-holder fatiguing.

Now used for many tasks in both Laparoscopic and open surgical procedures, the StrongArm Holder and Positioner has proven to be the latest best-seller from the World Leader in Surgical Holding and Positioning Arms... Mediflex.

FEATURES AND ADVANTAGES OF THE STRONGARM HOLDER AND POSITIONER**HOLDS VIRTUALLY ANY INSTRUMENT, RETRACTOR OR SCOPE**

Can reduce or eliminate hand-held retraction in laparoscopy. Minimizes hand-held scope manipulation.

THE QUICK-DISCONNECT FEATURE accommodates a range of available liver retractors, instrument holders and endoscope holders.

ATTACHES TO OR TABLE RAIL IN A TRADITIONAL MANNER

Utilizes a heavy-duty OR Rail Clamp that permits height adjustability.

AVAILABLE IN A VARIETY OF CONFIGURATIONS

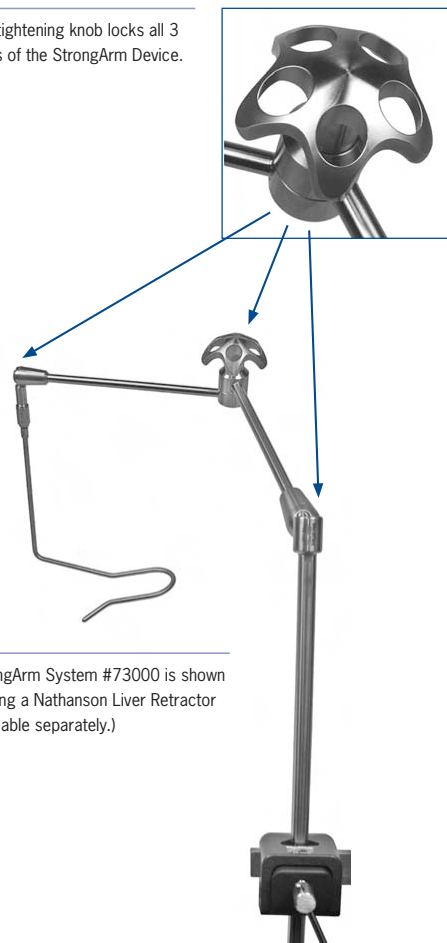
Single Arm Systems available to hold scope or instrument. Twin Arm Systems can hold scope and instrument.

EASILY CONFORMS TO ALMOST ANY POSITION

Completely versatile in placement capability.

MULTI-DIRECTIONAL ARMS LOCK TIGHT WITH A SINGLE KNOB**MADE IN U.S.A. FROM 100% SURGICAL GRADE STAINLESS STEEL**

The tightening knob locks all 3 joints of the StrongArm Device.

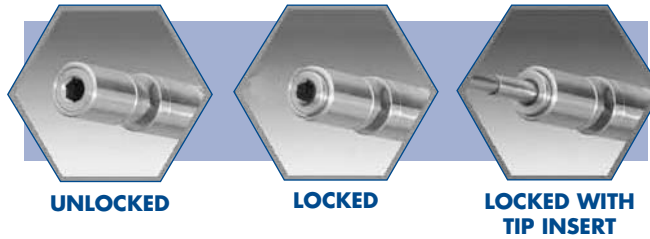


StrongArm System #73000 is shown holding a Nathanson Liver Retractor (available separately.)

STRONGARM™ SURGICAL HOLDERS AND POSITIONERS **11****THE ULTIMATE IN ADJUSTABLE RIGIDITY**

All Mediflex Holders and Positioners include a Quick Disconnect Distal End (shown below.) This feature allows any Mediflex Tip equipped with a Hexagonal End Fitting to attach to any arm. Tips are designed to hold Laparoscopes, other types of rigid endoscopes, instruments and retractors. They will hold devices with diameters ranging from 1.5mm to 12.5mm. The selection of tips available is found on page 15.

In addition to the tips found on page 15, Mediflex offers the largest selection of Nathanson Hooks available from any manufacturer. The Hooks also feature the Hexagonal End Fitting allowing them to be held by any Mediflex StrongArm Device. By holding the Hook in this manner, the axial slippage common with other types of holding systems is eliminated. Nathanson Hooks and Systems are shown on pages 16 and 17.



The Twin Arm StrongArm system illustrates the use of the Quick Disconnect System to hold both a laparoscope and a Nathanson Hook. Using a system like this often frees up a surgical tech and allows better utilization of human resources. See page 14 for twin arm systems.

12 STRONGARM™ SURGICAL HOLDERS AND POSITIONERS**SINGLE ARM SERIES**
SIMPLICITY AND RIGIDITY IN USE**REF. NO. 73000**

Single Arm Strong Arm Device with Quick Disconnect Tip and Heavy Duty, Height Adjustable Rail Clamp.

This arm is "Front Mounted" with 360° rotation in the Vertical Plane.

Standard Dimensions:

Height Adjustable Post: 3.5 – 11.5" (9cm – 29cm)

Mid Segment: 10.5" (26.5cm)

End Segments: 13" (33cm)

Note: Tips can add about 3" (7.5cm) to the end segment length

REF. NO. 73001

Arm only, no Rail Clamp.

**REF. NO. 73000-TM**

A Top-Mounted Strong Arm Holder and Positioner. The Top-Mount Allows 360° rotation in the Horizontal Plane. Complete with Quick Disconnect Tip and Heavy Duty, Height Adjustable Rail Clamp.

Standard Dimensions:

Height Adjustable Post: 3.5 – 13.5" (9cm – 34cm)

Mid Segment: 10.5" (26.5cm)

End Segments: 13" (33cm)

Note: Tips can add about 3" (7.5cm) to the end segment length

REF. NO. 73001-TM

Arm only, no Rail Clamp.

**REF. NO. 73000-SA**

Short Distal Arm Strong Arm Device with Quick Disconnect Tip and Heavy Duty, Height Adjustable Rail Clamp. The shorter Distal Segment is useful in Pediatrics where there is not the need for an extended reach.

This arm is "Front Mounted" with 360° rotation in the Vertical Plane.

Standard Dimensions:

Height Adjustable Post 3.5 – 11.5" (9cm – 29cm)

Mid Segment: 10.5" (26.5cm)

End Segments: 8" (20.5cm)

Note: Tips can add about 3" (7.5cm) to the end segment length

REF. NO. 73001-SA

Arm only, no Rail Clamp.

See pages 15 and 16 for available tips and retractors to fit all Mediflex Holders and Positioners equipped with the Quick Disconnect Feature. See page 15 for available Sterilizing Trays.



ARM AND TIP SYSTEMS

Mediflex offers our popular StrongArm Holder and Positioner, pre-packaged with the instrument tip of your choice. Page 15 has additional information regarding the tips shown below.

Each System shown on this page consists of: The 73000 Strong Arm Device and Heavy Duty Rail Clamp shown below and the Tip shown with the Ref. No.



■ REF. NO. 73000-ST

Contains:

Qty.	Ref. No.	Description/Size
1 ea	73000	Single Arm/Clamp
1 ea	69706	Stainless Steel Tip



■ REF. NO. 73000-DT

Contains:

Qty.	Ref. No.	Description/Size
1 ea	73000	Single Arm/Clamp
1 ea	69707	Delrin Tip



■ REF. NO. 73000-QG10

Contains:

Qty.	Ref. No.	Description/Size
1 ea	73000	Single Arm/Clamp
1 ea	72162	10mm Quick Grip Tip



■ REF. NO. 73000-QG5

Contains:

Qty.	Ref. No.	Description/Size
1 ea	73000	Single Arm/Clamp
1 ea	72163	5mm Quick Grip Tip



■ REF. NO. 73000-RBA

Contains:

Qty.	Ref. No.	Description/Size
1 ea	73000	Single Arm/Clamp
1 ea	69708	Bookler Ratchet Tip



■ REF. NO. 73000-DT



■ REF. NO. 73000-QG10



■ REF. NO. 73000-RBA

14 STRONGARM™ SURGICAL HOLDERS AND POSITIONERS

TWIN ARM SERIES
ONE DEVICE - TWO FUNCTIONS



■ **REF. NO. 73010**
Twin Arm StrongArm Holder and Positioner with Quick Disconnect feature on both arms and complete with a Heavy Duty Rail Clamp.

■ **REF. NO. 73012**
Twin Arm StrongArm Holder and Positioner with Quick Disconnect feature on both arms. (No Rail Clamp.)



■ **REF. NO. 73040**
StrongArm-Flex Arm Combo System with Quick Disconnect features on both arms and complete with a Heavy Duty Rail Clamp.

Dimensions for Twin Arm Units (73010 and 73012):

Post Height: (A to B) Adjustable from 3.5" – 11.5" (9cm – 29cm)

Mid Segment (Both Arms, B to C): 10.5" (26.5cm)

End Segments (Both Arms, C to D): 13" (33cm)

Note: Tips added to the Quick Disconnect Fitting Add about 3" (7.5cm) to the End Segment Length

Dimensions for Combo System:

Same as above except for FlexArm dimensions (See page 5):

THE STRONGARM-FLEX ARM COMBO SYSTEM IN USE.

The StrongArm Portion is holding an available Mediflex Nathanson Hook (See pg 16) while the Flex Arm Portion is Holding a 10 mm Laparoscope (page 27) with the available 10mm Quick Grip Scope Holder (page 15). This features the near absolute rigidity of a StrongArm Device with the flexible rigidity of a Flex Arm Holder and Positioner. This combination is ideal for procedures that require the liver to be retracted out of the way while also holding a scope. It can allow the surgery to be done with fewer employees... a true labor saving device.



See pages 15 and 16 for available tips and retractors to fit all Mediflex Holders and Positioners equipped with the Quick Disconnect Feature. See page 15 for available Sterilizing Trays.



ACCESSORIES FOR HOLDING AND POSITIONING ARMS **15**

QUICK DISCONNECT ACCESSORIES
SCOPE AND INSTRUMENT HOLDERS

QUICK-GRIP SCOPE HOLDERS

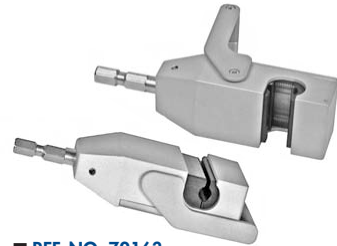
Safely and quickly secures 5mm and 10mm endoscopes. Atraumatic Delrin Jaws will not damage scopes. Can also be used to hold laparoscopic instruments.



The 10mm Quick Grip Scope Holder attached to #69045-QC and holding a Laparoscope. (Arm and scope sold separately)



■ REF. NO. 72162
10mm Quick Grip Scope Holder



■ REF. NO. 72163
5mm Quick Grip Scope Holder

ADJUSTABLE INSTRUMENT CLAMPING TIPS

These tips are adjustable and can hold instruments and endoscopes having diameters ranging from 1.5mm to 12.5mm



The Delrin Adjustable Scope Holder attached to #69702 and holding a Laparoscope. (Arm and scope sold separately)

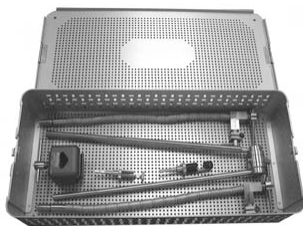
■ NO. 69706
Stainless Steel Tip for Instruments and Retractors, from 3.5mm to 12.5mm.



■ REF. NO. 69707
Delrin Tip for Rigid Endoscopes, from 1.5mm to 12.5mm.



STERILIZING PANS FOR MEDIFLEX HOLDERS AND POSITIONERS



This tray is REF. NO. 69760. It is shown with the 69055-QCLR which is available separately.

■ REF. NO. 69760
Standard Mediflex Tray for Arms, 22.7" x 10.6" x 4.7" (56 X 26.5 X 11.75cm)

■ REF. NO. 69761
Ex-Large Mediflex Tray for Arms, 26.7" x 11" x 6" (66 x 27.5 x 15cm) This tray is required for Medium and Large Nathanson Hooks.

BOOKLER® RATCHET BAR ATTACHMENTS

Ideal for use in Open Surgery or in Laparoscopic procedures that convert, this device allows any Bookler or Bookwalter-style retractor to be held in Mediflex Arms.

■ REF. NO. 69708
Bookler Ratchet Bar Attachment



Two Bookler Ratchet Bar Attachments inserted in #73010, holding Bookler retractor blades. (Arm and blades sold separately)

A list of available Bookler Retractor Blades can be seen in the MEDIFLEX Table Mounted Retractor Catalog RET-0709.

16 NATHANSON LIVER RETRACTORS AND SYSTEMS

NATHANSON HOOKS
THE FIRST LAPAROSCOPIC RETRACTOR THAT HOLDS THE ENTIRE LIVER

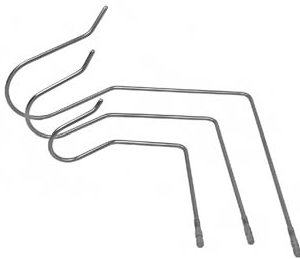
Nathanson Hooks have proven to be ideal for Laparoscopic Liver Retraction. The 5mm Hooks are generally used in GERD Surgery while the 6.5mm Hooks are ideal for Bariatric Procedures. The Extra Long Tips available on the Medium and Large 6.5mm Hooks may facilitate entry in larger patients.

SETS OF HOOKS

■ **REF. NO. 69709**

5mm Hook Set Contains 1 each of:

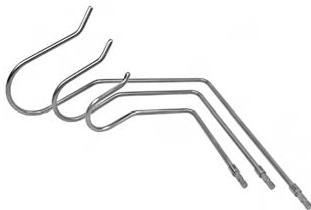
- Ref. No. 69703, Small
- Ref. No. 69704, Medium
- Ref. No. 69705, Large



■ **REF. NO. 69710**

6.5mm Hook Set Contains 1 each of:

- Ref. No. 69735, Small
- Ref. No. 69736, Medium
- Ref. No. 69737, Large

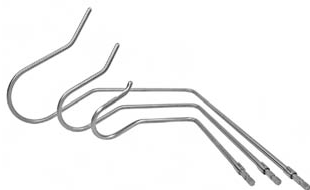


■ **REF. NO. 69710-XL**

6.5mm Extra Long Hook Set.

Contains 1 each of:

- Ref. No. 69735, Small
- Ref. No. 69736-XL, Medium, X-Long
- Ref. No. 69737-XL, Large, X-Long



INDIVIDUAL HOOKS

STANDARD, 5mm DIAMETER

- **REF. NO. 69738** | Extra Small
- **REF. NO. 69703** | Small
- **REF. NO. 69704** | Medium
- **REF. NO. 69705** | Large

HEAVY, 6.5mm DIAMETER

- **REF. NO. 69735** | Small
- **REF. NO. 69736** | Medium
- **REF. NO. 69737** | Large

HEAVY, 6.5mm DIAMETER WITH LONGER TIP

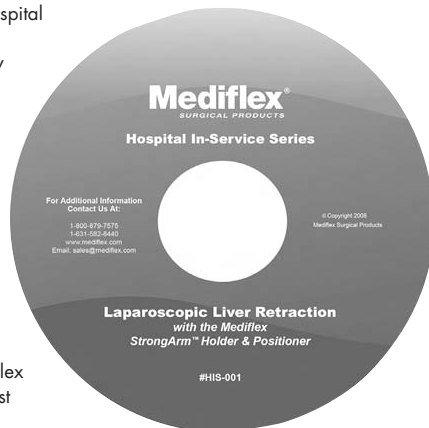
- **REF. NO. 69736-XL** | Medium
- **REF. NO. 69737-XL** | Large



Shown here is the small, 6.5mm Nathanson Hook

Mediflex has an informative Hospital Inservice program available on DVD. It reviews how to correctly set-up, position and care for your StrongArm Surgical Holder and Positioner. It also discusses the use of the Nathanson Liver Retractor in Laparoscopic Surgery. This DVD is valuable for the entire OR Team including surgeons who may not have had previous experience with Nathanson Hooks.

Contact Mediflex or your Mediflex Sales Representative and request Inservice Program HIS-001.



NATHANSON STRONGARM™ SYSTEMS

Each of the Systems below features Ref. No. 73000 Single Arm StrongArm Holder and Positioner along with 3 Nathanson Hooks and 2 Instruments Tips. The Hooks and Tips each feature The Mediflex Hexagonal Fitting that allows them to be easily attached to and removed from any Mediflex Surgical Holder and Positioner that has the Quick Disconnect Feature. These Systems are best for Bariatric Procedures.

■ SYSTEM NO. 73000-NLR

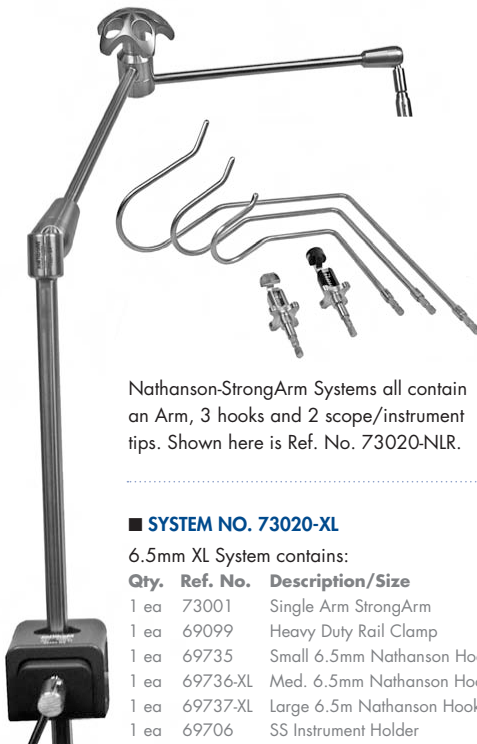
5mm System contains:

Qty.	Ref. No.	Description/Size
1 ea	73001	Single Arm StrongArm
1 ea	69099	Heavy Duty Rail Clamp
1 ea	69703	Small 5mm Nathanson Hook
1 ea	69704	Med. 5mm Nathanson Hook
1 ea	69705	Large 5mm Nathanson Hook
1 ea	69706	SS Instrument Holder
1 ea	69707	Delrin Scope Holder

■ SYSTEM NO. 73020-NLR

5mm System contains:

Qty.	Ref. No.	Description/Size
1 ea	73001	Single Arm StrongArm
1 ea	69099	Heavy Duty Rail Clamp
1 ea	69735	Small 6.5mm Nathanson Hook
1 ea	69736	Med. 6.5mm Nathanson Hook
1 ea	69737	Large 6.5mm Nathanson Hook
1 ea	69706	SS Instrument Holder
1 ea	69707	Delrin Scope Holder



Nathanson-StrongArm Systems all contain an Arm, 3 hooks and 2 scope/instrument tips. Shown here is Ref. No. 73020-NLR.

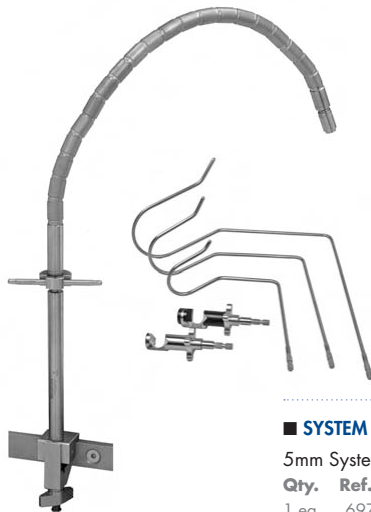
■ SYSTEM NO. 73020-XL

6.5mm XL System contains:

Qty.	Ref. No.	Description/Size
1 ea	73001	Single Arm StrongArm
1 ea	69099	Heavy Duty Rail Clamp
1 ea	69735	Small 6.5mm Nathanson Hook
1 ea	69736-XL	Med. 6.5mm Nathanson Hook XL
1 ea	69737-XL	Large 6.5mm Nathanson Hook XL
1 ea	69706	SS Instrument Holder
1 ea	69707	Delrin Scope Holder

NATHANSON FLEX ARM™ SYSTEMS

The Systems below features Ref. No. 69702 Long Reach Flex Arm Holder and Positioner along with 3 Nathanson Hooks and 2 Instruments Tips. The Hooks and Tips each feature The Mediflex Hexagonal Fitting that allows them to be easily attached to and removed from any Mediflex Surgical Holder and Positioner that has the Quick Disconnect Feature. These Systems are suggested for G.E.R.D Procedures such as Nissan Fundoplication.



Nathanson-Flex Arm Systems all contain an Arm, 3 hooks and 2 scope/instrument tips. Shown here is Ref. No. 69701.

■ SYSTEM NO. 69701

5mm System contains:

Qty.	Ref. No.	Description/Size
1 ea	69702	Long Reach Flex Arm
1 ea	69703	Small 5mm Nathanson Hook
1 ea	69704	Med. 5mm Nathanson Hook
1 ea	69705	Large 5mm Nathanson Hook
1 ea	69706	SS Instrument Holder
1 ea	69707	Delrin Scope Holder

■ SYSTEM NO. 69720

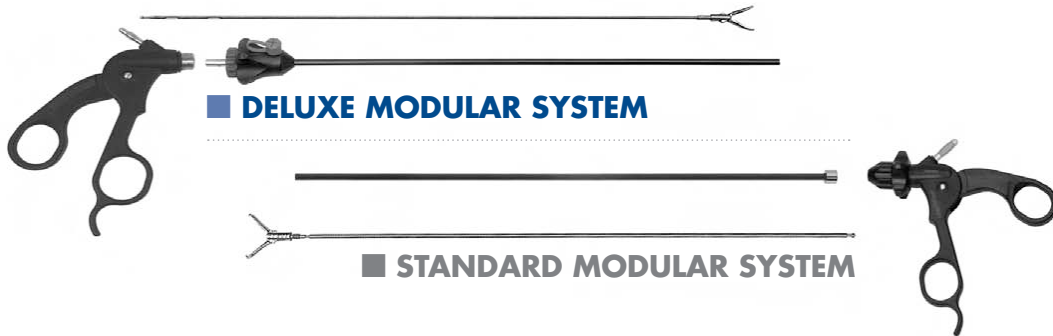
6.5mm System contains:

Qty.	Ref. No.	Description/Size
1 ea	69702	Long Reach Flex Arm
1 ea	69735	Small 6.5mm Nathanson Hook
1 ea	69736	Med. 6.5mm Nathanson Hook
1 ea	69737	Large 6.5mm Nathanson Hook
1 ea	69706	SS Instrument Holder
1 ea	69707	Delrin Scope Holder

18 LAPAROSCOPIC INSTRUMENTS

MODULAR LAPAROSCOPIC INSTRUMENT SYSTEMS

Available as complete 3 piece instruments or mix and match handles, shafts and inserts for each system.



MEDIFLEX MODULAR INSTRUMENT FEATURES

	DELUXE MODULAR SYSTEM	STANDARD MODULAR SYSTEM
EASY TO CLEAN AND STERILIZE	■	■
Can be left assembled, cleaned with a flush port and sterilized as a one piece instrument	■	
Can be partially disassembled by removing the Shaft and Insert. These can be cleaned with a flush port	■	
Can be completely disassembled for Cleaning and Sterilization as a 3 piece instrument	■	■
INTERCHANGEABLE HANDLES AND SHAFTS	■	■
Ratcheted and Non-Ratcheted Handles	■	■
Dozens of inserts to choose from	■	■
Ergonomic Handle Designs	■	■
Every Pattern available in both 36cm and 45cm lengths	■	
Every Pattern available in both 33cm and 45cm lengths		■
One-handed rotation	■	■
All Handles capable of monopolar electrocautery	■	■
ALL INSERTS MADE FROM SURGICAL GRADE STAINLESS STEEL	■	■
EASY ASSEMBLY	■	■
Can be used as a one-piece instrument with no assembly	■	
Can be used as a two-piece instrument with minimal assembly	■	
INSERTS LOCKED IN PLACE WITH 2 LOCKING MECHANISMS	■	■
ECONOMICAL	■	■
Low Cost per Use	■	
Lowest Cost per Use		■

MODULAR LAPAROSCOPIC INSTRUMENT COMPONENTS

DELUXE MODULAR SYSTEM

AVAILABLE INSULATED SHAFTS WITH FLUSH PORT



■ **REF. NO. 91285-D**
Deluxe Insulated Shaft 5mm by 36cm



■ **REF. NO. 91285-D45**
Deluxe Insulated Shaft 5mm by 45cm



■ **REF. NO. 91287-D**
Deluxe Insulated Shaft 10mm by 36cm



■ **REF. NO. 91287-D45**
Deluxe Insulated Shaft 10mm by 45cm

AVAILABLE CARBON FIBER HANDLES



■ **REF. NO. 91383-D-CF**
Deluxe, Non-ratcheted
Ergonomic Modular Handle

■ **REF. NO. 91384-D-CFR**
Deluxe, On/Off Ratchet,
Ergonomic Modular Handle

STANDARD MODULAR SYSTEM

AVAILABLE INSULATED SHAFTS



■ **REF. NO. 91285**
Insulated Shaft 5mm by 33cm



■ **REF. NO. 91285-45**
Insulated Shaft 5mm by 45cm



■ **REF. NO. 91287**
Insulated Shaft 10mm by 33cm



■ **REF. NO. 91287-45**
Insulated Shaft 10mm by 45cm

AVAILABLE CARBON FIBER HANDLES



■ **REF. NO. 91383-CF**
Non-ratcheted Ergonomic
Modular Handle

■ **REF. NO. 91384-CFR**
On/Off Ratchet,
Ergonomic Modular Handle

20 LAPAROSCOPIC INSTRUMENTS

MODULAR LAPAROSCOPIC INSTRUMENT SYSTEMS

SCISSORS AND SHEARS

5mm Curved Metzenbaum Scissors, Flat Dissecting Blades, Double Action



Length	Ref. No. Insert Only	Ref. No. with Handle & Shaft
36cm	91467-D-I	91467-D-CF
33cm	91467-I	91467-CF
45cm	91467-D45-I	91467-D-CF-45
45cm	91467-45-I	91467-CF-45

5mm Curved Metzenbaum Scissors, Serrated Dissecting Blades, Double Action



Length	Ref. No. Insert Only	Ref. No. with Handle & Shaft
36cm	91466-D-I	91466-D-CF
33cm	91466-I	91466-CF
45cm	91466-D45-I	91466-D-CF-45
45cm	91466-45-I	91466-CF-45

5mm Straight Metzenbaum Scissors, Serrated Dissecting Blades, Double Action



Length	Ref. No. Insert Only	Ref. No. with Handle & Shaft
36cm	91465-D-I	91465-D-CF
33cm	91465-I	91465-CF
45cm	91465-D45-I	91465-D-CF-45
45cm	91465-45-I	91465-CF-45

5mm Hook Scissors, Single Action



Length	Ref. No. Insert Only	Ref. No. with Handle & Shaft
36cm	91410-D-I	91410-D-CF
33cm	91410-I	91410-CF
45cm	91410-D45-I	91410-D-CF-45
45cm	91410-45-I	91410-CF-45

5mm Micro Scissors, Straight, Single Action



Length	Ref. No. Insert Only	Ref. No. with Handle & Shaft
36cm	91344-D-I	91344-D-CF
33cm	91344-I	91344-CF
45cm	91344-D45-I	91344-D-CF-45
45cm	91344-45-I	91344-CF-45

5mm Micro Scissors, Curved, Single Action



Length	Ref. No. Insert Only	Ref. No. with Handle & Shaft
36cm	91346-D-I	91346-D-CF
33cm	91346-I	91346-CF
45cm	91346-D45-I	91346-D-CF-45
45cm	91346-45-I	91346-CF-45

DELUXE

■ **REF. NO. 91383-D-CF**
Deluxe, Non-ratcheted Ergonomic Modular Handle



STANDARD

■ **REF. NO. 91383-CF**
Non-ratcheted Ergonomic Modular Handle



MODULAR LAPAROSCOPIC INSTRUMENT SYSTEMS

DELUXE MODULAR INSTRUMENT



STANDARD MODULAR INSTRUMENT



DISSECTING FORCEPS

5mm Curved Maryland Dissector, Double Action, Cross Serrations



Length	Ref. No. Insert Only	Ref. No. with Handle & Shaft
36cm	91412-D-I	91412-D-CF
33cm	91412-I	91412-CF
45cm	91412-D45-I	91412-D-CF-45
45cm	91412-45-I	91412-CF-45

5mm Curved Dissector, Double Action, DeBaKey Jaws



Length	Ref. No. Insert Only	Ref. No. with Handle & Shaft
36cm	91317-D-I	91317-D-CF
33cm	91317-I	91317-CF
45cm	91317-D45-I	91317-D-CF-45
45cm	91317-45-I	91317-CF-45

5mm Mixer Dissector, Right Angle, Double Action, Horizontal Serrations



Length	Ref. No. Insert Only	Ref. No. with Handle & Shaft
36cm	91333-D-I	91333-D-CF
33cm	91333-I	91333-CF
45cm	91333-D45-I	91333-D-CF-45
45cm	91333-45-I	91333-CF-45

5mm Mixer Dissector, Right Angle, Double Action, Cross Serrations



Length	Ref. No. Insert Only	Ref. No. with Handle & Shaft
36cm	91376-D-I	91376-D-CF
33cm	91376-I	91376-CF
45cm	91376-D45-I	91376-D-CF-45
45cm	91376-45-I	91376-CF-45

5mm Dolphin Dissector, Straight, Double Action, Horizontal Serrations, Grasping Cup



Length	Ref. No. Insert Only	Ref. No. with Handle & Shaft
36cm	91415-D-I	91415-D-CF
33cm	91415-I	91415-CF
45cm	91415-D45-I	91415-D-CF-45
45cm	91415-45-I	91415-CF-45

	Blue Represents DELUXE SYSTEM
.....	
	Grey Represents STANDARD SYSTEM

22 LAPAROSCOPIC INSTRUMENTS

MODULAR LAPAROSCOPIC INSTRUMENT SYSTEMS

GRASPERS AND CLAMPS

5mm Fenestrated Grasper, 14mm Double Action Jaws



Length	Ref. No. Insert Only	Ref. No. with Handle & Shaft
36cm	91345-D-I	91345-D-CFR
33cm	91345-I	91345-CFR
45cm	91345-D45-I	91345-D-CFR-45
45cm	91345-45-I	91345-CFR-45

5mm Fenestrated Grasper, 15mm Double Action Jaws



Length	Ref. No. Insert Only	Ref. No. with Handle & Shaft
36cm	91301-D-I	91301-D-CFR
33cm	91301-I	91301-CFR
45cm	91301-D45-I	91301-D-CFR-45
45cm	91301-45-I	91301-CFR-45

5mm Fenestrated Grasper, 38mm Double Action Jaws



Length	Ref. No. Insert Only	Ref. No. with Handle & Shaft
36cm	91343-D-I	91343-D-CFR
33cm	91343-I	91343-CFR
45cm	91343-D45-I	91343-D-CFR-45
45cm	91343-45-I	91343-CFR-45

5mm Fenestrated Grasper, 19mm Aggressive Double Action Jaws



Length	Ref. No. Insert Only	Ref. No. with Handle & Shaft
36cm	91382-D-I	91382-D-CFR
33cm	91382-I	91382-CFR
45cm	91382-D45-I	91382-D-CFR-45
45cm	91382-45-I	91382-CFR-45

5mm Fenestrated Grasper, 19mm Endo-Clinch Double Action Jaws



Length	Ref. No. Insert Only	Ref. No. with Handle & Shaft
36cm	91323-D-I	91323-D-CFR
33cm	91323-I	91323-CFR
45cm	91323-D45-I	91323-D-CFR-45
45cm	91323-45-I	91323-CFR-45

5mm Johann Grasper, 36mm Double Action Jaws



Length	Ref. No. Insert Only	Ref. No. with Handle & Shaft
36cm	91311-D-I	91311-D-CFR
33cm	91311-I	91311-CFR
45cm	91311-D45-I	91311-D-CFR-45
45cm	91311-45-I	91311-CFR-45

DELUXE

■ REF. NO. 91384-D-CFR
Deluxe, On/Off Ratchet,
Ergonomic Carbon Fiber Handle



STANDARD

■ REF. NO. 91384-CFR
Standard On/Off Ratchet,
Ergonomic Carbon Fiber Handle



Blue Represents
DELUXE SYSTEM

Grey Represents
STANDARD SYSTEM

MODULAR LAPAROSCOPIC INSTRUMENT SYSTEMS

DELUXE MODULAR INSTRUMENT



STANDARD MODULAR INSTRUMENT



GRASPERS AND CLAMPS

5mm Johann Grasper, 56mm Double Action Jaws

Length	Ref. No. Insert Only	Ref. No. with Handle & Shaft
36cm	91312-D-I	91312-D-CFR
33cm	91312-I	91312-CFR
45cm	91312-D45-I	91312-D-CFR-45
45cm	91312-45-I	91312-CFR-45

5mm Johann Grasper, 76mm Double Action Jaws

Length	Ref. No. Insert Only	Ref. No. with Handle & Shaft
36cm	91313-D-I	91313-D-CFR
33cm	91313-I	91313-CFR
45cm	91313-D45-I	91313-D-CFR-45
45cm	91313-45-I	91313-CFR-45

5mm Maxi-Grip Fundus Grasper, 17mm Double Action Jaws

Length	Ref. No. Insert Only	Ref. No. with Handle & Shaft
36cm	91302-D-I	91302-D-CFR
33cm	91302-I	91302-CFR
45cm	91302-D45-I	91302-D-CFR-45
45cm	91302-45-I	91302-CFR-45

5mm Maxi-Grip Fundus Grasper, 26mm Double Action Jaws

Length	Ref. No. Insert Only	Ref. No. with Handle & Shaft
36cm	91377-D-I	91377-D-CFR
33cm	91377-I	91377-CFR
45cm	91377-D45-I	91377-D-CFR-45
45cm	91377-45-I	91377-CFR-45

5mm Wave Grasper, Double Action

Length	Ref. No. Insert Only	Ref. No. with Handle & Shaft
36cm	91375-D-I	91375-D-CFR
33cm	91375-I	91375-CFR
45cm	91375-D45-I	91375-D-CFR-45
45cm	91375-45-I	91375-CFR-45

5mm Wave Grasper with 2 x 3 Teeth, Single Action

Length	Ref. No. Insert Only	Ref. No. with Handle & Shaft
36cm	91380-D-I	91380-D-CFR
33cm	91380-I	91380-CFR
45cm	91380-D45-I	91380-D-CFR-45
45cm	91380-45-I	91380-CFR-45

24 LAPAROSCOPIC INSTRUMENTS

MODULAR LAPAROSCOPIC INSTRUMENT SYSTEMS

GRASPERS AND CLAMPS

5mm Standard Grasper, Full Serrations, Double Action Jaws



Length	Ref. No. Insert Only	Ref. No. with Handle & Shaft
36cm	91354-D-I	91354-D-CFR
33cm	91354-I	91354-CFR
45cm	91354-D45-I	91354-D-CFR-45
45cm	91354-45-I	91354-CFR-45

5mm Allis Tissue Forceps, Rounded Tip, Double Action Jaws



Length	Ref. No. Insert Only	Ref. No. with Handle & Shaft
36cm	91337-D-I	91337-D-CFR
33cm	91337-I	91337-CFR
45cm	91337-D45-I	91337-D-CFR-45
45cm	91337-45-I	91337-CFR-45

5mm Babcock Tissue Forceps, Double Action DeBakey Jaws



Length	Ref. No. Insert Only	Ref. No. with Handle & Shaft
36cm	91542-D-I	91542-D-CFR
33cm	91542-I	91542-CFR
45cm	91542-D45-I	91542-D-CFR-45
45cm	91542-45-I	91542-CFR-45

10mm Babcock Tissue Forceps, Double Action DeBakey Jaws



Length	Ref. No. Insert Only	Ref. No. with Handle & Shaft
36cm	91545-D-I	91545-D-CFR
33cm	91545-I	91545-CFR
45cm	91545-D45-I	91545-D-CFR-45
45cm	91545-45-I	91545-CFR-45

10mm Atraumatic Spring Jaw Babcock Tissue Forceps, Double Action



Length	Ref. No. Insert Only	Ref. No. with Handle & Shaft
36cm	91544-D-I	91544-D-CFR
33cm	91544-I	91544-CFR
45cm	91544-D45-I	91544-D-CFR-45
45cm	91544-45-I	91544-CFR-45

5mm DeBakey Grasper, 60mm Double Action Jaws



Length	Ref. No. Insert Only	Ref. No. with Handle & Shaft
36cm	91565-D-I	91565-D-CFR
33cm	91565-I	91565-CFR
45cm	91565-D45-I	91565-D-CFR-45
45cm	91565-45-I	91565-CFR-45

DELUXE

■ **REF. NO. 91384-D-CFR**
Deluxe, On/Off Ratchet,
Ergonomic Carbon Fiber Handle



STANDARD

■ **REF. NO. 91384-CFR**
Standard On/Off Ratchet,
Ergonomic Carbon Fiber Handle



Blue Represents
DELUXE SYSTEM

Grey Represents
STANDARD SYSTEM

MODULAR LAPAROSCOPIC INSTRUMENT SYSTEMS

DELUXE MODULAR INSTRUMENT



STANDARD MODULAR INSTRUMENT



TENACULA, CLAWS AND SPOON FORCEPS

5mm Tenaculum, Double Action Jaws



Length	Ref. No. Insert Only	Ref. No. with Handle & Shaft
36cm	91537-D-I	91537-D-CFR
33cm	91537-I	91537-CFR
45cm	91537-D45-I	91537-D-CFR-45
45cm	91537-45-I	91537-CFR-45

10mm Tenaculum, Double Action Jaws



Length	Ref. No. Insert Only	Ref. No. with Handle & Shaft
36cm	91536-D-I	91536-D-CFR
33cm	91536-I	91536-CFR
45cm	91536-D45-I	91536-D-CFR-45
45cm	91536-45-I	91536-CFR-45

5mm Claw Forceps, Single Action Jaws



Length	Ref. No. Insert Only	Ref. No. with Handle & Shaft
36cm	91606-D-I	91606-D-CFR
33cm	91606-I	91606-CFR
45cm	91606-D45-I	91606-D-CFR-45
45cm	91606-45-I	91606-CFR-45

10mm Claw Forceps, Single Action Jaws



Length	Ref. No. Insert Only	Ref. No. with Handle & Shaft
36cm	91605-D-I	91605-D-CFR
33cm	91605-I	91605-CFR
45cm	91605-D45-I	91605-D-CFR-45
45cm	91605-45-I	91605-CFR-45

5mm Spoon/Stone Retrieval Forceps, Double Action Jaws



Length	Ref. No. Insert Only	Ref. No. with Handle & Shaft
36cm	91485-D-I	91485-D-CFR
33cm	91485-I	91485-CFR
45cm	91485-D45-I	91485-D-CFR-45
45cm	91485-45-I	91485-CFR-45

10mm Spoon/Stone Retrieval Forceps, Double Action Jaws



Length	Ref. No. Insert Only	Ref. No. with Handle & Shaft
36cm	91660-D-I	91660-D-CFR
33cm	91660-I	91660-CFR
45cm	91660-D45-I	91660-D-CFR-45
45cm	91660-45-I	91660-CFR-45

26 LAPAROSCOPIC INSTRUMENTS**ONE-PIECE, FLUSHABLE LAPAROSCOPIC INSTRUMENTS****10mm ANVIL GRASPER WITH FLUSH PORT**

■ REF. NO. 91599-A

10mm x 33cm Anvil Grasper with Flush Port.

■ REF. NO. 91599-A-45

10mm x 45cm Anvil Grasper with Flush Port.

**ARTICULATING FAN RETRACTORS WITH FLUSH PORT**

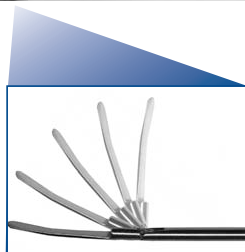
■ REF. NO. 91671

5mm Articulating Fan Retractor, 3 blades with Flush Port.



■ REF. NO. 91672

10mm Articulating Fan Retractor, 5 blades with Flush Port.

**ARTICULATING ESOPHAGEAL DISSECTOR/RETRACTOR WITH FLUSH PORT**

■ REF. NO. 91667

5mm x 33cm Articulating Esophageal Dissector and Retractor

■ REF. NO. 91667-45

5mm x 45cm Articulating Esophageal Dissector and Retractor

■ REF. NO. 91668

10mm x 33cm Articulating Esophageal Dissector and Retractor

■ REF. NO. 91668-45

10mm x 45cm Articulating Esophageal Dissector and Retractor

LAPAROSCOPIC NEEDLE HOLDERS WITH FLUSH PORT

■ REF. NO. 91592-AX

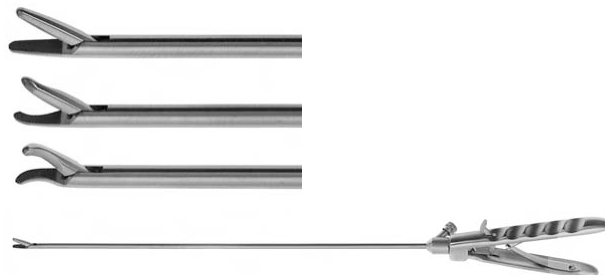
Needle Holder, One-piece with Flush Port, 5mm x 33cm, Axial Handle, Straight Jaws

■ REF. NO. 91593-AX

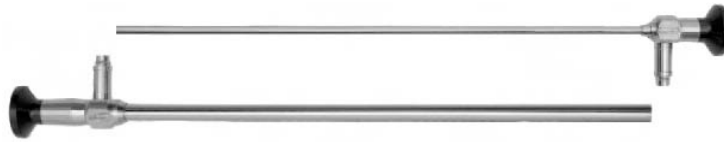
Needle Holder, One-piece with Flush Port, 5mm x 33cm, Axial Handle, Jaws Curve Right

■ REF. NO. 91594-AX

Needle Holder, One-piece with Flush Port, 5mm x 33cm, Axial Handle, Jaws Curve Left



OTHER LAPAROSCOPIC INSTRUMENTATION
AUTOCCLAVABLE LAPAROSCOPES



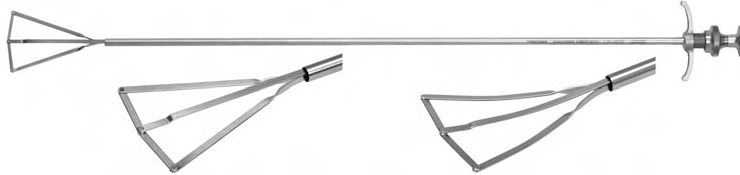
■ **REF. NO. 91120**
5mm x 30.5cm
0° View

■ **REF. NO. 91125**
5mm x 30.5cm
30° View

■ **REF. NO. 91130**
10mm x 31.5cm
0° View

■ **REF. NO. 91135**
10mm x 31.5cm
30° View

■ **REF. NO. 91136**
10mm x 31.5cm
45° View

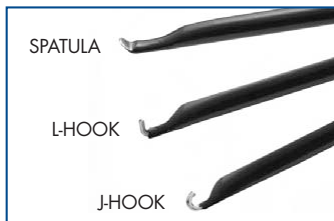


REUSABLE KITE STYLE FAN RETRACTORS

■ **REF. NO. 91670**
5mm x 33cm Straight Kite Retractor

■ **REF. NO. 91675**
5mm x 33cm Curved Kite Retractor

REUSABLE MONOPOLAR ELECTRODES



SPATULA

L-HOOK

J-HOOK

■ **REF. NO. 91170**
5mm x 33cm Spatula Tip Electrode

■ **REF. NO. 91175**
5mm x 33cm L-Hook Tip Electrode

■ **REF. NO. 91185**
5mm x 33cm J-Hook Tip Electrode

■ **REF. NO. 91170-45**
5mm x 45cm Spatula Tip Electrode

■ **REF. NO. 91175-45**
5mm x 45cm L-Hook Tip Electrode

■ **REF. NO. 91185-45**
5mm x 45cm J-Hook Tip Electrode

REUSABLE "S" RETRACTORS FOR HASSON OPEN LAPAROSCOPY

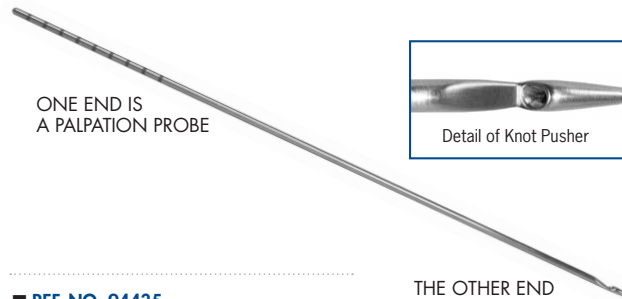


■ **REF. NO. 69080**
"S" Retractors 1/4" Wide (Sold as Pair)

■ **REF. NO. 69081**
"S" Retractors 3/8" Wide (Sold as Pair)

■ **REF. NO. 69082**
"S" Retractors 1/2" Wide (Sold as Pair)

REUSABLE MULTI-PURPOSE KNOT PUSHER/PALPATION PROBE



ONE END IS
A PALPATION PROBE

Detail of Knot Pusher

■ **REF. NO. 94435**
4mm x 36cm Multi-Purpose Knot Pusher

■ **REF. NO. 94436**
4mm x 45cm Multi-Purpose Knot Pusher

THE OTHER END
IS A KNOT PUSHER

28 LAPAROSCOPIC INSTRUMENT HOLDING/POSITIONING**THE MEDIFLEX-DRAUGHN LAP-RACK
INSTRUMENT HOLDING AND POSITIONING SYSTEM****QUICK AND EASY ACCESS TO LAPAROSCOPIC INSTRUMENTS
WHEN AND WHERE YOU NEED THEM!**

The Lap Rack Instrument Holding and Positioning System is designed to hold up to eight laparoscopic instruments of any size including clip applicators, graspers, scissors, and stapling devices. It can also enhance cord management by holding cautery probes, suction irrigators and harmonic scalpels. Developed by David Draughn, MD of Gastonia, NC.

**Cantilever-Style Rack Attaches Directly
to OR Table Rail**

The lap rack system moves with the surgical table. Allows positioning exactly where the surgeon needs the instruments.

**Eliminates Awkward Hand-to-Hand
Instrument Exchanges**

The surgeon chooses the correct instrument at his or her convenience. The scrub tech no longer has to "guess" what's needed next.

**Keeps Instruments In the Sterile Field—
Not On the Floor**

Virtually eliminates disruption of procedure to replace instruments.

**Provides Immediate Access to Instruments
Without Losing Sight of Monitor**

Surgeon maintains focus on the procedure.

Can Save Time and Labor

Procedures with fewer interruptions save valuable OR time.

**ALSO FOR USE WITH THE LAP RACK SYSTEM:
FLEX ARM™ COMPANION ARM**

Useful for holding laparoscopic devices such as scopes, graspers and retractors. 69303-AQC (shown at right) attaches to the horizontal or vertical portion of the Mount Post.

Please see page 8 for additional information.



■ REF. NO. 69303-AQC

■ REF. NO. 69074

The Mediflex Draughn Lap Rack System Complete with:

Qty.	Ref. No.	Description/Size
1 ea.	Ref. No. 69097-FR	Lap Rack and Lap Rack Mount
1 ea.	Ref. No. 69098	Long Reach Mount Post/ Swivel Ball Assembly
1 ea.	Ref. No. 69099	OR Rail Clamp

CUTTING EDGE™ REPOSABLE SCISSOR AND DISSECTOR TIPS

The Cutting Edge Product Line from Mediflex is a Laparoscopic System consisting of Reusable Laparoscopic Instrument Handles and Disposable Scissor and Dissector tips. It provides the economy of a reusable handle with the guarantee of a new tip for each procedure. Photos below show 2 views of each tip: opened, closed from above and closed from the side.



■ **REF. NO. 91710-10**
Curved 3/4" (1.9cm)
Metzenbaum Scissor Tips,
Box of 10, Sterile



■ **REF. NO. 91740-10**
Hook Scissor Tips, Box
of 10, Sterile



■ **REF. NO. 91720-10**
Straight 5/8" (1.6cm)
Metzenbaum Scissor Tips,
Box of 10, Sterile



■ **REF. NO. 91750-10**
Curved 3/4" (1.9cm)
Maryland Dissector Tips,
Box of 10, Sterile

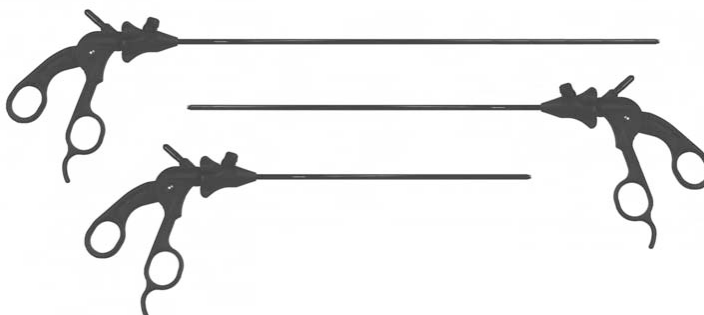


■ **REF. NO. 91730-10**
Mini Curved 1/2"
(1.25cm) Metzenbaum
Scissor Tips, Box of 10,
Sterile



■ **REF. NO. 91760-10**
Baby Curved 3/8" (.8mm)
Metzenbaum Scissor Tips,
Box of 10, Sterile

AVAILABLE REUSABLE HANDLES CUTTING EDGE SYSTEM



■ **REF. NO. 91383-45TI**
45cm x 5mm Handle, Complete with Flush
Port, Monopolar Post and Rotation

■ **REF. NO. 91383TI**
33cm x 5mm Handle, Complete with Flush
Port, Monopolar Post and Rotation

■ **REF. NO. 91383-26TI**
26cm x 5mm Handle, Complete with Flush
Port, Monopolar Post and Rotation

30 OTHER LAPAROSCOPIC PRODUCTS**MEDIFLEX-NUBERT TISSUE RETRIEVAL SYSTEM**

Mediflex offers the first Retrieval Bag system that features a disposable bag and reusable Forceps. The Forceps are specifically designed to insert, open, securely close and remove the Bag. The NUBERT Disposable Retrieval Bag is tough, made of tear resistant material. It is tapered to prevent bunching of tissue and it can be used repeatedly in the same procedure.

■ **REF. NO. 24003**

Mediflex-NUBERT Laparoscopic Retrieval Bag,
120ml Capacity, Box of 10, Sterile

■ **REF. NO. 91312-CFR-F**

Mediflex Modular Laparoscopic Nubert Grasper,
5mm x 33cm with On/Off Ratchet Carbon Fiber Handle

■ **REF. NO. 91312-I-F**

Replacement Insert for Mediflex-NUBERT Grasper

MEDIFLEX DISPOSABLE TISSUE RETRIEVAL SYSTEM

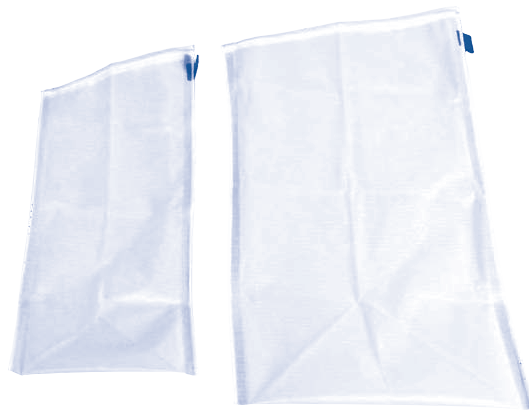
The Mediflex-Albert and Mediflex-Hubert bags are designed to remove larger specimens than those placed in the Nubert system. In addition the tear resistant polyurethane-coated rip-stop nylon is impervious to fluids and strong enough for use in Morcellation of tissue.

■ **REF. NO. 24001**

Mediflex-ALBERT Tissue Retrieval Bag, 900ml Capacity,
Box of 5, Sterile

■ **REF. NO. 24002**

Mediflex-HUBERT Tissue Retrieval Bag, 3000ml Capacity,
Box of 5, Sterile

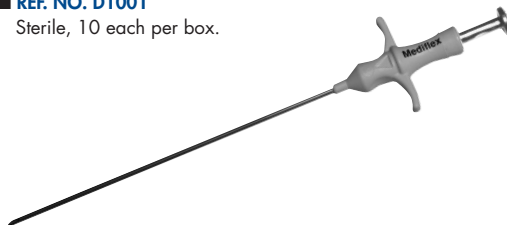
**MEDIFLEX DISPOSABLE SUTURE GRASPER CLOSURE DEVICE**

Generally used for Trocar Site Closure, this versatile device can also temporarily tack hernia mesh in position, be used to assist in percutaneous suturing and to ligate abdominal wall bleeders.

A TRUE MULTI-USE INSTRUMENT

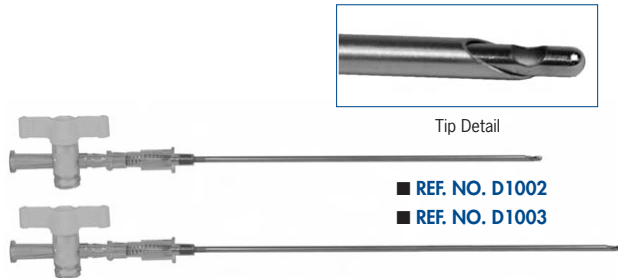
■ **REF. NO. D1001**

Sterile, 10 each per box.



DISPOSABLE VERRES NEEDLES

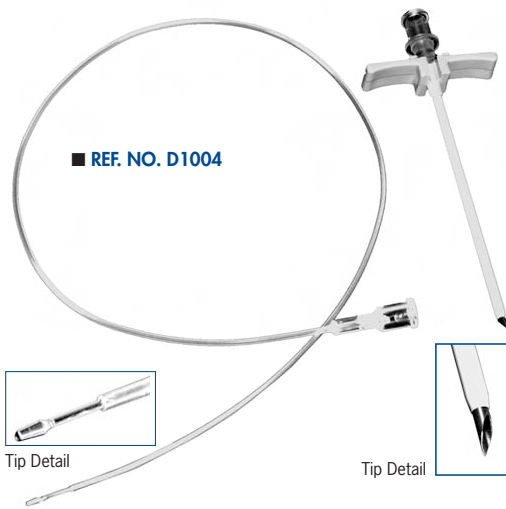
Mediflex introduces the economic alternative to establishing Pneumoperitoneum in Laparoscopic Surgery. The Mediflex Disposable Verres Needle features an ergonomically designed non-slip handle, a sharp 14 ga. needle, a traditional spring activated blunt stylet and a clear housing to facilitate a drop test. Available in both 120 and 150mm lengths.



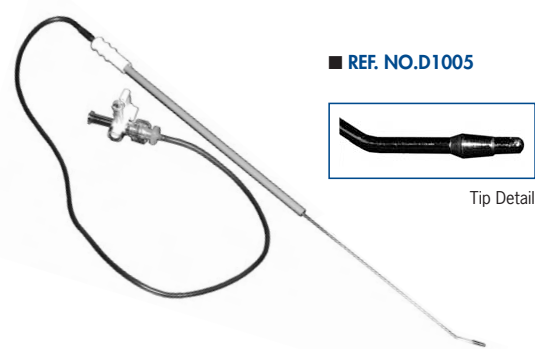
- **REF. NO. D1002**
120mm Disposable Verres Needle Sterile,
10 each per box
- **REF. NO. D1003**
150mm Disposable Verres Needle Sterile,
10 each per box

DISPOSABLE CHOLANGIOGRAPHY CATHETERS

Whether your surgeons introduce the Cholangiography catheter through a trocar or percutaneously ...whether they like a rigid tip or a flexible catheter, Mediflex has the right product for you.



- **REF. NO. D1004**
A 20" (42.8cm) flexible catheter that can be used in open or laparoscopic procedures. Complete with 14ga. percutaneous introducer. Sterile, 10 each per box.
- **REF. NO. D1005**
A Tapered, beaded tip 13" (27.8cm) catheter with radiolucent 5mm introducer sheath and gas seal. For laparoscopic use through a 5mm trocar/cannula. Sterile, 6 each per box.
- **REF. NO. D1006**
A Tapered, beaded tip 11" (23.5cm) catheter and 14ga. percutaneous introducer. Sterile, 10 each per box.



32 NUMERIC INDEX

REF NO.	PAGE	REF NO.	PAGE	REF NO.	PAGE	REF NO.	PAGE
24001	30	69735	16	91175	27	91412 Series	21
24002	30	69736-XL	16	91185-45	27	91415 Series	21
24003	30	69736	16	91185	27	91465 Series	20
69045-QC	3	69737-XL	16	91187	8	91466 Series	20
69045-QG10	3	69737	16	91285-45	19	91467 Series	20
69045-QG5	3	69738	16	91285-D	19	91485 Series	25
69050-QC	4	69760	15	91285-D45	19	91536 Series	25
69053	8	69761	15	91285	19	91537 Series	25
69054-QC	5	72162	15	91287-45	19	91542 Series	24
69054-QC-BS01	5	72163	15	91287-D	19	91544 Series	24
69054-QCLR	6	72190	9	91287-D45	19	91545 Series	24
69054-QCLR-BS01	6	72191	9	91287	19	91565 Series	24
69055-QC	5	72192	9	91301 Series	22	91592-AX	26
69055-QC-BS02	5	72193	9	91302 Series	23	91593-AX	26
69055-QCLR	7	72225	8	91311 Series	22	91594-AX	26
69055-QCLR-BS01	7	73000-DT	13	91312-F Series	30	91599 Series	26
69055-QCLR-BS02	7	73000-NLR	17	91312 Series	23	91605 Series	25
69056-QC	8	73000-QG10	13	91313 Series	23	91606 Series	25
69056-QC-BS01	8	73000-QG5	13	91317 Series	21	91660 Series	25
69074	28	73000-RBA	13	91323 Series	22	91667 Series	26
69080	27	73000-SA	12	91333 Series	21	91668 Series	26
69081	27	73000-ST	13	91337 Series	24	91670	27
69082	27	73000-TM	12	91343 Series	22	91671	26
69098	8	73000	12	91344 Series	20	91672	26
69099	8	73001-SA	12	91345 Series	22	91675	27
69303-AQC	8	73001-TM	12	91346 Series	20	91710-10	29
69303-BSQC	8	73001	12	91354 Series	24	91720-10	29
69701	17	73010	14	91375 Series	23	91730-10	29
69702	3	73012	14	91376 Series	21	91740-10	29
69703	16	73020-NLR	17	91377 Series	23	91750-10	29
69704	16	73020-XL	17	91380 Series	23	91760-10	29
69705	16	73040	14	91382 Series	22	94435	27
69706	15	91120	27	91383-26TI	29	94436	27
69707	15	91125	27	91383-45TI	29	D1001	30
69708	15	91130	27	91383-CF	19	D1002	31
69709	16	91135	27	91383-DCF	19	D1003	31
69710-XL	16	91136	27	91383TI	29	D1004	31
69710	16	91170-45	27	91384-CFR	19	D1005	31
69720	17	91170	27	91384-D-CFR	19	D1006	31
		91175-45	27	91410 Series	20		

SURGICAL HOLDERS AND POSITIONERS REUSABLE LAPAROSCOPIC INSTRUMENTS

Virtually all of the reusable devices shown in this catalog are manufactured of surgical grade stainless steel. As such, they should be cared for as you would any high quality surgical instrument. Each device is shipped to the end user with specific Instructions for Use for that device. Additional copies of the Instructions for any Mediflex device are available through your Mediflex Distributor or through our web site – www.mediflex.com.

In general however, we recommend:

INSPECTION

Inspection of all devices should be done each time the instrument is prepared for sterilization. This inspection should check for missing or damaged parts and should include testing any moving parts for proper function. Any part that has missing or damaged components or that is not functioning correctly should be set aside for repair or replacement and not used in surgery.

CLEANING

These devices should be cleaned and sterilized upon receipt. After each use, they should be cleaned according to hospital protocol for reusable surgical instruments or laparoscopic instruments. Follow instructions and warnings as issued by the manufacturer of any decontaminants, disinfectants and cleaning agents used. Suggested steps in the cleaning process include but are not limited to:

Wherever possible, do not allow blood, debris or bodily fluids to dry on devices. For best results and to prolong the life of the device, reprocess immediately after use. If they cannot be reprocessed immediately, use enzymatic foam spray cleaner or deionized (distilled) water to help prevent soil from drying.

- Disassemble devices only as far as is recommended in that item's Instructions for Use. Trying to disassemble devices not meant to be taken apart could result in lost or damaged components.
- Washer-sterilizers should be used according to the washer-sterilizer's manufacturer's recommendations.
- Ultrasonic and/or mechanical (hand) cleaning is recommended. Hand cleaning should use a mild surgical instrument detergent and brushes. Do not use metal-bristled brushes as they can damage the instrument. Ultrasonic cleaning should be done according to the procedures provided by the ultrasonic cleaner's manufacturer.
- Always rinse in distilled water and re-inspect for loose or missing parts, cracks and broken components. Also inspect for visible soil or debris. If present, repeat the cleaning process.
- These devices should be lubricated after every cleaning. Any commercially available water soluble instrument milk or lubricant is acceptable. Follow instructions for lubricating surgical instruments as provided by the manufacturer of the lubricant used.

STERILIZATION

After proper cleaning, these products may be sterilized according to hospital protocol for reusable surgical instruments. Minimum parameters for Pre-Vac Cycles are 4 minutes at 132°C (270° F). Other methods including gravity, flash, Ethylene Oxide, Peracetic Acid (Steris®) and Hydrogen Peroxide Gas Plasma (Sterrad®) systems may be used. Always follow the manufacturer's recommendations for surgical instruments in the use of any sterilizer.